



ZEISS Forum

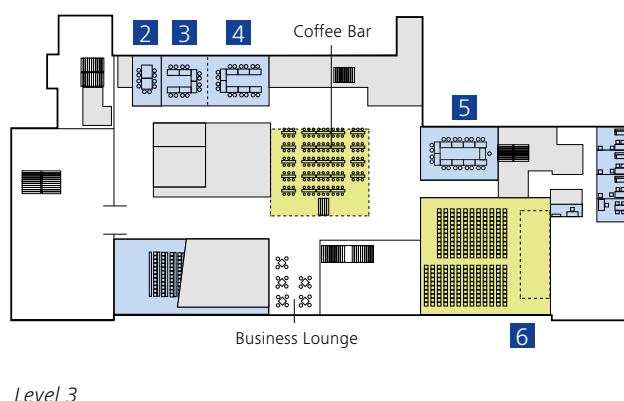
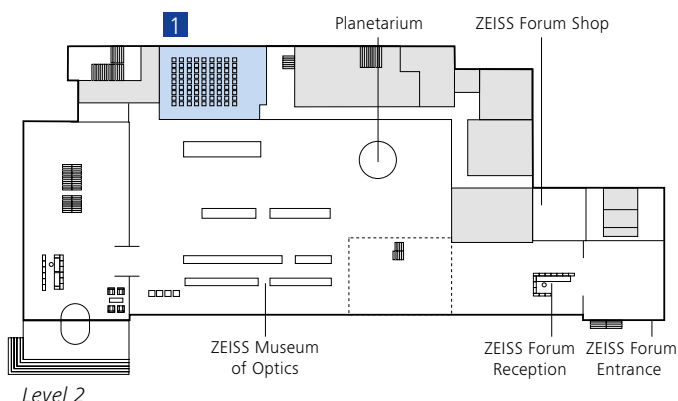
Room Details & Prices



Seeing beyond

ZEISS Forum

Room plans



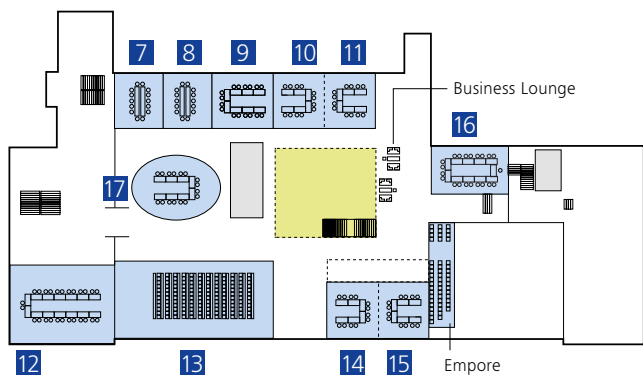
Room name	Size	Dimensions (LxWxH in m)	Seating options	Features	Prices halfday*
1 Tessar	126 m ²	13.50 x 9.30 x 2.40/2.57	31 people 101 people 60 people		Mo & Fri: 450,- € Tue - Thu: 540,- €
2 Gemini	24 m ²	3.70 x 6.50 x 2.68	8 people		Mo & Fri: 200,- € Tue - Thu: 240,- €
3 Planar	35 m ²	6.00 x 5.80 x 2.68	13 people		Mo & Fri: 200,- € Tue - Thu: 240,- €
4 Sonnar	47 m ²	8.10 x 5.80 x 2.68	17 people		Mo & Fri: 200,- € Tue - Thu: 240,- €
Planar + Sonnar	84 m ²	14.50 x 5.80 x 2.68	31 people		Mo & Fri: 400,- € Tue - Thu: 480,- €
5 Punktal	69 m ²	10.10 x 6.80 x 2.68	21 people		Mo & Fri: 400,- € Tue - Thu: 480,- €
6 ZEISS Hall	248 m ²	17.00 x 14.60 x 5.30	230 people 134 people 134 people 60 people		Mo & Fri: 2.400,- €/day Tue - Thu: 2.640,- €/day
13 Abbe Auditorium	193 m ²	20.90 x 9.20 x 5.30	143 people		Mo & Fri: 800,- € Tue - Thu: 960,- €

*Rates are valid for bookings up to 4 hours. The rate will double for longer bookings.

Bookings between 12.00 p.m. and 2.00 p.m. are charged at the full day rate.

Setup and removal days will be charged at 60% of the daily rate.

- Daylight
- Air conditioning
- Projector screen
- Projector
- Video recording
- Lectern
- Speaker
- Mikrophone
- Flip chart
- Stage
- Display
- Microsoft® Teams



Level 4

Room name	Size	Dimensions (LxW x H in m)	Seating options	Seating options	Seating options	Features	Prices halfday*
7 Gradal	40 m ²	5.80 x 6.90 x 2.83		10 people	Block		Mo & Fri: 200,- € Tue - Thu: 240,- €
8 Dialyt	43 m ²	6.20 x 6.90 x 2.83		10 people	Block		Mo & Fri: 200,- € Tue - Thu: 240,- €
9 Axiomat	55 m ²	8.00 x 6.90 x 2.83		17 people	Chair circle		Mo & Fri: 200,- € Tue - Thu: 240,- €
10 PRISMO	48 m ²	7.00 x 6.90 x 2.83		13 people	U-shape	 Can be combined with CONTURA	Mo & Fri: 200,- € Tue - Thu: 240,- €
11 CONTURA	46 m ²	6.60 x 6.90 x 2.83		13 people	U-shape	 Can be combined with PRISMO	Mo & Fri: 200,- € Tue - Thu: 240,- €
PRISMO + CONTURA	95 m ²	13.70 x 6.90 x 2.83		27 people	U-shape		Mo & Fri: 400,- € Tue - Thu: 480,- €
12 SCHOTT	124 m ²	11.90 x 10.40 x 2.80	 	39 people 51 people 99 people	U-shape Classroom style Theater style		Mo & Fri: 450,- € Tue - Thu: 540,- €
14 OPMI 1	44 m ²	6.60 x 6.70 x 2.83		13 people	U-shape	 Can be combined with OPMI Pentero	Mo & Fri: 200,- € Tue - Thu: 240,- €
15 OPMI Pentero	45 m ²	6.70 x 6.70 x 2.83		13 people	U shape	 Can be combined with OPMI 1	Mo & Fri: 200,- € Tue - Thu: 240,- €
OPMI 1 + OPMI Pentero	90 m ²	13.40 x 6.70 x 2.83		27 people	U shape		Mo & Fri: 400,- € Tue - Thu: 480,- €
16 Stratus	63 m ²	10.50 x 6.00 x 2.83		19 people	Block		Mo & Fri: 400,- € Tue - Thu: 480,- €
17 Skymaster (Oval)	69 m ²	11.40 x 7.70 x 2.83		17 people	Chair circle		Mo & Fri: 200,- € Tue - Thu: 240,- €

Building 8

Company restaurant	795 m ²	35.20 x 22.60 x 5.00	 	700 people 576 people	Theater style Hospitality		Mo & Fri: 6.000,- €/day Tue - Thu: 6.600,- €/day
--------------------	--------------------	----------------------	------	--------------------------	------------------------------	--	---

ZEISS Forum

Price list

Stage use and seating

ZEISS Saal stage (4 x 12 m)	250,- €
Dismantling of ZEISS Saal stage	300,- €
Company restaurant stage (5 x 15 m)	700,- €
Podium with steps	250,- €
Seating rearrangement for ZEISS Hall (other than standard)	945,- €
Seating rearrangement for Company restaurant	on request

Technology

Microphone (handheld, headset & clip-on)	45,- €
Lectern with microphone	40,- €
Station for discussion equipment	45,- €
Presentation board (whiteboard & pinboard)	40,- €
Flipchart incl. 4 markers	35,- €
Moderator case	40,- €
Presentation laptop	60,- €
Standing desk, round & rectangular	20,- €
Preview monitor 65"	150,- €
Move-able monitor 75", rota-table, adjustable in height	150,- €
Move-able monitor 65"	100,- €
MS Surface Hub	200,- €
Floor lights RGB, wireless	50,- €
Presenter	15,- €
Mobile audio and microphone equipment	200,- €

Employee hourly rate

Event technology	108,- €/hour
Utilities management	108,- €/hour
Plant fire department	on request
Paramedics	on request
Plant security	on request
Cleaning	on request
Photographer	on request

Additional rooms

Forum coffee bar*	Mo & Fri: 700,- € Tue - Thu: 820,- €
Hallway/exhibition area (level 3)	300,- €
Hallway/exhibition area (level 4)	300,- €

* Only for exclusive and evening events

Basic configuration per room

Projector, screen, 1 flip chart, videoconferencing equipment	Free
--	------

Please contact us if you require additional equipment or services.



ZEISS Forum

Conference – Event – Museum
Carl-Zeiss-Strasse 22
73447 Oberkochen, Germany

Contact

If you have any questions or wish to make a booking, please contact:
Tel.: +49 (0) 73 64 - 20 4040
Fax: +49 (0) 73 64 - 20 62451
Email: zeissforum@zeiss.com
www.zeiss.com/zeissforum