



ZEISS Forum

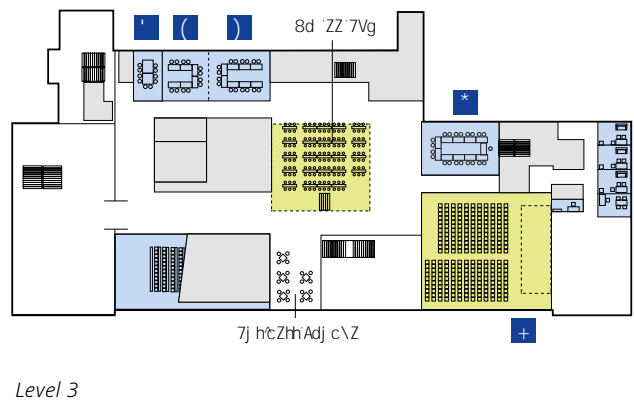
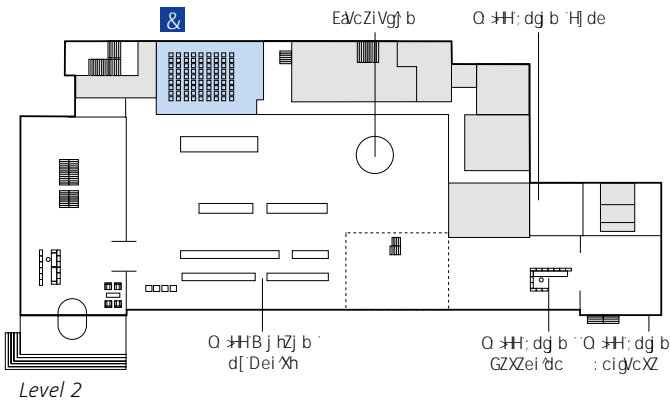
Room Details & Prices



Seeing beyond

ZEISS Forum

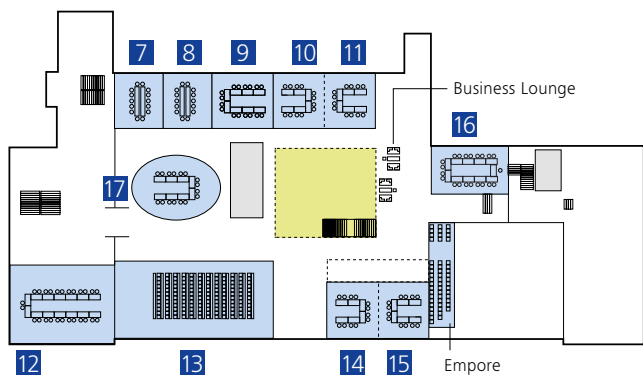
Gddb 'eā/ch



Room name	Size	Dimensions (LxWxH in m)	Seating options	Features	Prices halfday*
Tessar	& ' + b '	&(# %m. # %m ' #) \$ # ,	(&eZdeā J "h' VeZ &%& 'eZdeā' l] ZViZghinā '+%eZdeā 8ā/hgtdb 'hinā) *%ā''
Gemini	' ') ' b ' (# %m+# %m' #-		'- 'eZdeā' 7āIX		' %ā''
Planar	' (* ' b ' + # %m* # %m' #-		'&('eZdeā J "h' VeZ	 8Vc 'WZ Xdb WcZY l ↑) 'HāccVgtdb	' %ā''
Sonnar	') , ' b ' - # %m* # %m' #-		'& 'eZdeā J "h' VeZ	 8Vc 'WZ Xdb WcZY l ↑) 'Eā/cVgtdb	' %ā''
Planar + Sonnar	' -) ' b) # %m* # %m' #-		'(&eZdeā J "h' VeZ) %ā''
Puntal	' + . ' b ' &%&%m+# %m' #-		'' &eZdeā =daul 'hfj VgZ) %ā''
ZEISS Hall	') - ' b ' & # %m& # %m* # %		' (%eZdeā l] ZViZghinā &() 'eZdeā 8ā/hgtdb 'hinā &() 'eZdeā l ↑) \$ ↑) dj i h'V\Z '+%eZdeā 9dj WZ 'J "h' VeZ '+%eZdeā l ↑) h'V\Z '+%eZdeā 9dj WZ 'J "h' VeZ '+%eZdeā l ↑) dj i h'V\Z		2.4%ā'' \$Vn
Abbe Auditorium	& (' b ' % # %m. # %m* # %		&() 'eZdeā : hZY gdl h		- %ā''

*Rates are valid for bookings up to 4 hours. The rate will double for longer bookings. Bookings between 12.00 p.m. and 2.00 p.m. are charged at the full day rate. Setup and removal days will be charged at 60% of the daily rate.

- 9Vnā] i'
- 6 gXdcY↑'dc'ē\
- Egd ZXidghXgZc'
- Egd ZXidg
- KYZd' gZXdg' ē\
- AZXiZg:
- HēZV Zg
- B ^gde] dcZ'
- : æ: X] Vg'
- HV\Z'
- 9'heā/n'
- B Xgldh[i i ZVb h



Level 4

	Room name	Size	Dimensions (LxW x H in m)	Seating options		Features	Prices halfday*
7	Gradal	40 m ²	5.80 x 6.90 x 2.83	10 people	Block		200,- €
8	Dialyt	43 m ²	6.20 x 6.90 x 2.83	10 people	Block		200,- €
9	Axiomat	55 m ²	8.00 x 6.90 x 2.83	17 people	Chair circle		200,- €
10	PRISMO	48 m ²	7.00 x 6.90 x 2.83	13 people	U-shape	 Can be combined with the CONTURA room	200,- €
11	CONTURA	46 m ²	6.60 x 6.90 x 2.83	13 people	U-shape	 Can be combined with PRISMO room	200,- €
	PRISMO + CONTURA	95 m ²	13.70 x 6.90 x 2.83	27 people	U-shape		400,- €
12	SCHOTT	124 m ²	11.90 x 10.40 x 2.80	39 people 51 people 99 people	U-shape Classroom style Theater style		450,- €
14	OPMI 1	44 m ²	6.60 x 6.70 x 2.83	13 people	U-shape	 Can be combined with the OPMI Pentero room	200,- €
15	OPMI Pentero	45 m ²	6.70 x 6.70 x 2.83	13 people	U shape	 Can be combined with the OPMI 1 room	200,- €
	OPMI 1 + OPMI Pentero	90 m ²	13.40 x 6.70 x 2.83	27 people	U shape		400,- €
16	Stratus	63 m ²	10.50 x 6.00 x 2.83	19 people	Block		400,- €
17	Skymaster (Oval)	69 m ²	11.40 x 7.70 x 2.83	17 people	Chair circle		200,- €

Building 8

Company restaurant	795 m ²	35.20 x 22.60 x 5.00	700 people 576 people	Theater style Hospitality		6.000,- €/day
--------------------	--------------------	----------------------	--------------------------	------------------------------	--	---------------

ZEISS Forum

Price list

Stage use and seating

ZEISS Saal stage (4 x 12 m)	250,- €
Dismantling of ZEISS Saal stage	300,- €
Company restaurant stage (5 x 15 m)	700,- €
Podium with steps	250,- €
Seating rearrangement for ZEISS Hall (other than standard)	900,- €
Seating rearrangement for Company restaurant	on request

Technology

Microphone (handheld, headset & clip-on)	45,- €
Lectern with microphone	40,- €
discussion equipment	45,- €
Whiteboard magnetic, double-sided	30,- €
Flip chart incl. 4 markers	30,- €
Moderator case	35,- €
Presentation laptop	60,- €
Standing desk, round & rectangular	20,- €
Preview monitor 65"	150,- €
Move-able monitor 75", rota-table, adjustable in height	150,- €
Move-able monitor 65"	100,- €
MS Surface Hub	200,- €
Floor lights RGB, wireless	50,- €
Presenter	15,- €
Mobile audio and microphone equipment	200,- €

Employee hourly rate

Event technology	108,- €/hour
Utilities management	108,- €/hour
Plant fire department	on request
Paramedics	on request
Plant security	on request
Cleaning	on request
Photographer	on request

Additional rooms

Forum coffee bar with room booking*	250,- €
Forum coffee bar without room booking*	350,- €
Hallway/exhibition area (level 3)	300,- €
Hallway/exhibition area (level 4)	300,- €

* Only for exclusive and evening events

Basic configuration per room

Projector, screen, 1 flip chart, videoconferencing equipment	Free
--	------

Please contact us if you require additional equipment or services.



ZEISS Forum

Conference – Event – Museum
Carl-Zeiss-Strasse 22
73447 Oberkochen, Germany

Contact

If you have any questions or wish to make a booking, please contact:
Tel.: +49 (0) 73 64 - 20 4040
Fax: +49 (0) 73 64 - 20 62451
Email: zeissforum@zeiss.com
www.zeiss.com/zeissforum