

**26<sup>4</sup>  
5  
DAYS** with **ZEISS SPECTRUM**  
with **0** RETURNS  
**CUSTOMER SATISFACTION**

○ | ○ | ○



# ZEISS SPECTRUM Family

Upgrade to trusted measuring results



Seeing beyond

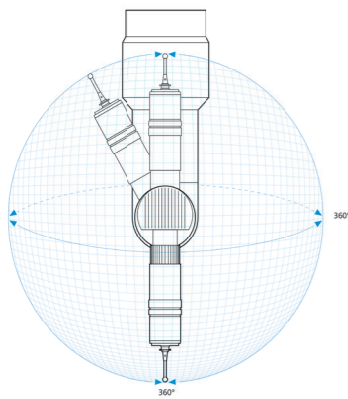
# ZEISS SPECTRUM

## Key Characteristics

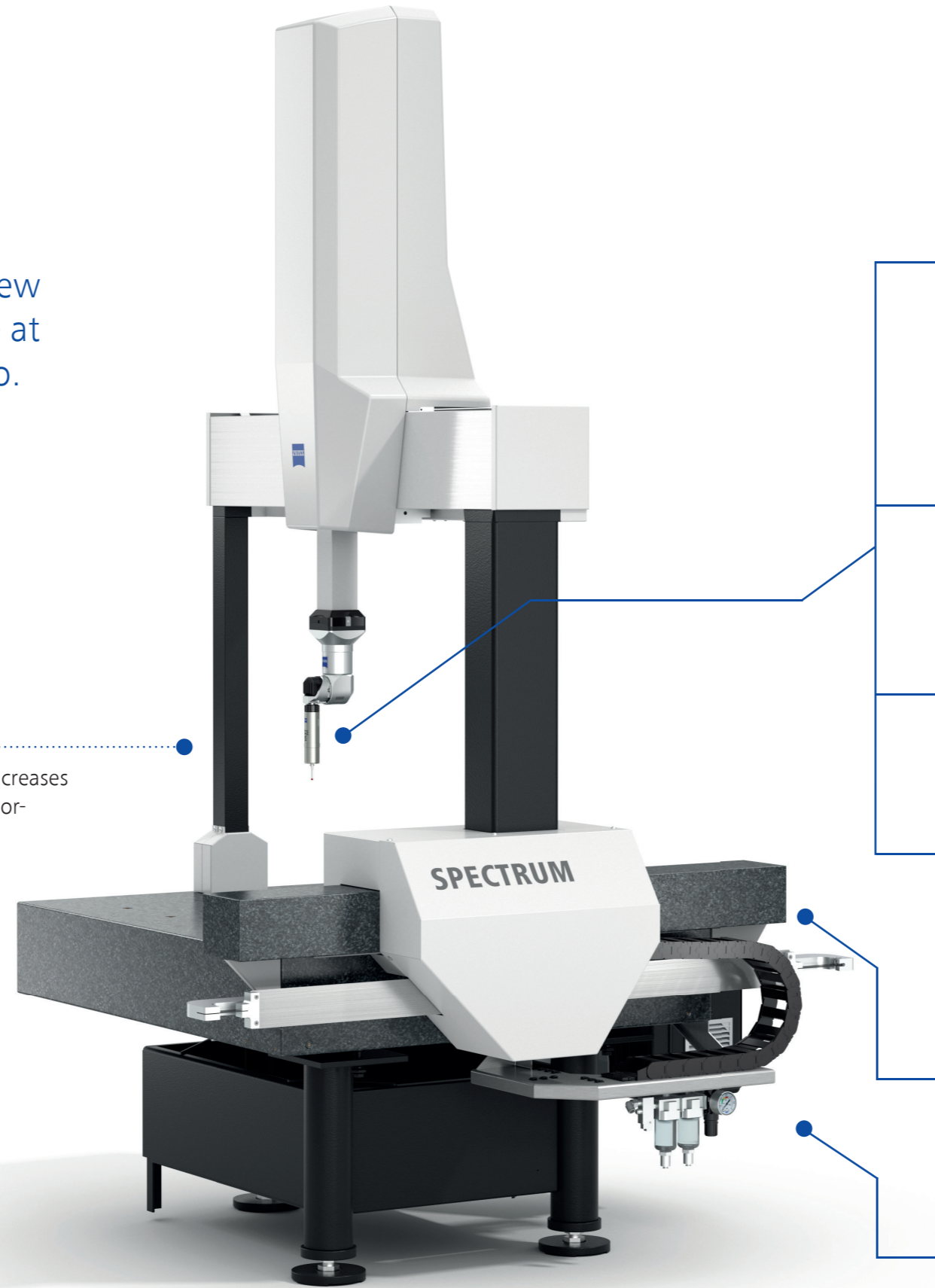
With the ZEISS SPECTRUM coordinate measuring machine you will enter a new level of precision and trusted results – at an unmatched price-performance ratio.

### Unmatched scanning technology

The combination of ZEISS VAST XXT and ZEISS RDS C5 CAA increases the reliability and reduces operation time of measurements enormously. It also enables a wide range of measurement tasks.



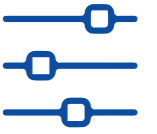
**5** degree  
**5,184** possible angles



### Tailored for your application

#### Flexibility via three different sensors

ZEISS direct XDT  
ZEISS direct VAST XXT  
ZEISS RDS C5 CAA VAST XXT  
Covered by five sizes



### Better data quality

#### with ZEISS VAST XXT

Form measurement error for roundness with a RONt of 1.8  $\mu\text{m}$  for 5/5/6



### Get a great value

#### Highest quality from leading technology

with a  $MPE_{E0}$  of 1.9+L/250  $\mu\text{m}$  for 5/5/6



### Cost effectiveness

#### Get the fastest qualification time in class

ZEISS RDS C5 including CAA allows a qualified system of all 5,184 possible angles in approx. 12 minutes.



### Reliability

Floating mounted **glass ceramic scales** for eliminating the temperature scale deflection, meaning temperature sensors are not required.



### Small footprint

**Backpack controller**, as well as passive damping system and earthquake protection.





# ZEISS SPECTRUM plus

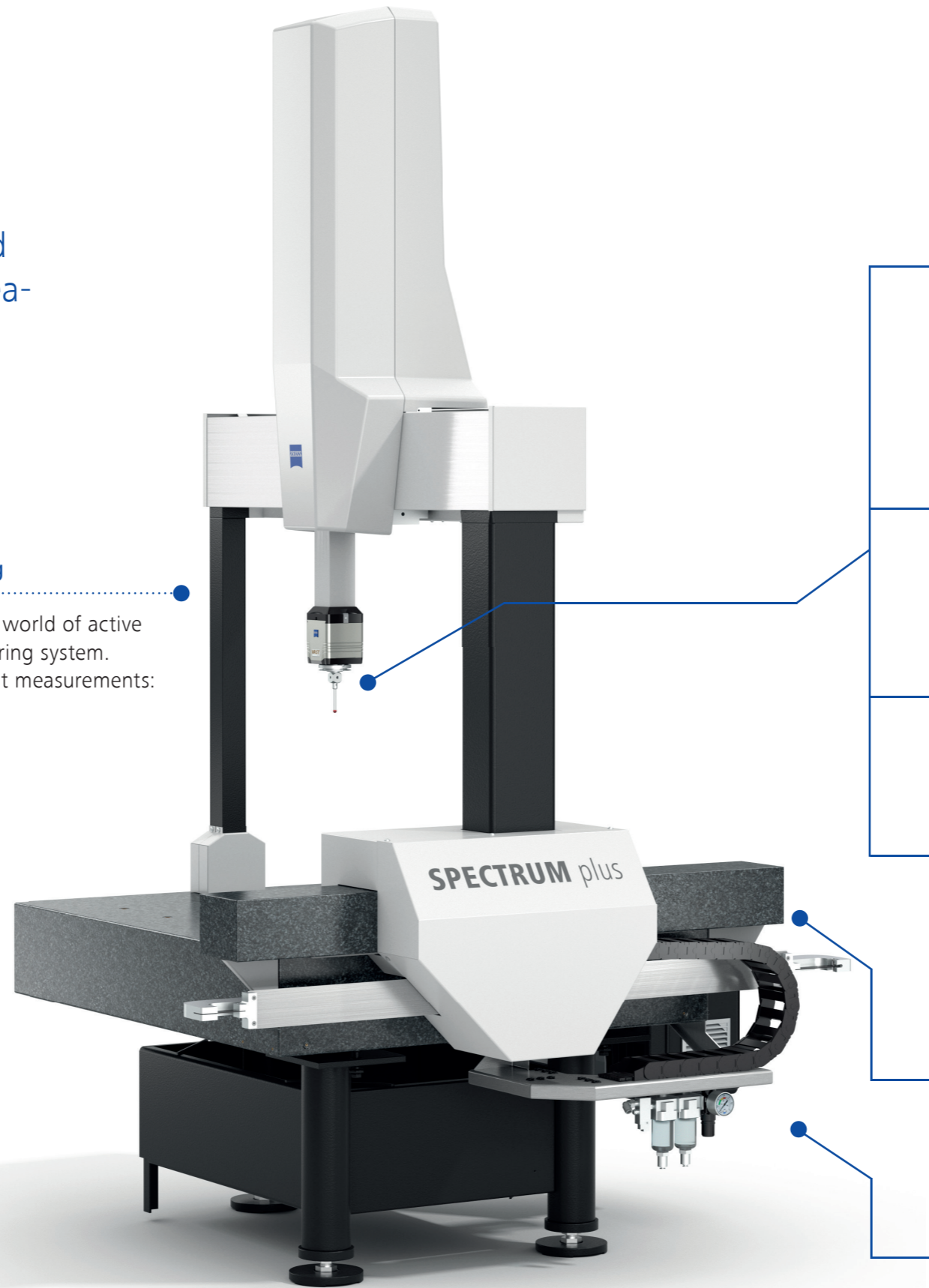
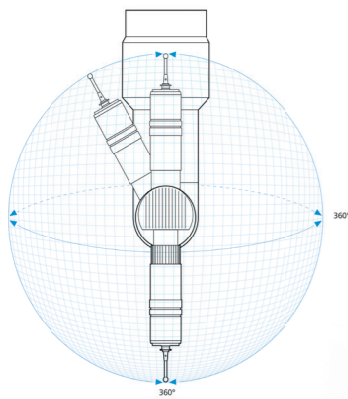
## Key Characteristics

ZEISS SPECTRUM plus opens the world of active scanning. The coordinate measuring machine offers more reliability, stability, capability and flexibility.

### ZEISS VAST XT gold: Entering the world of active scanning

ZEISS VAST XT gold provides the foundation for entry into the world of active scanning technology. The sensor features an additional measuring system. Besides the active scanning, this sensor also allows single-point measurements: the sensor enables the flexible use of complex stylus systems.

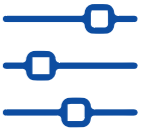
ZEISS SPECTRUM plus is also available with ZEISS RDS C CAA including VAST XXT.



### Tailored for your application

#### Flexibility via different sensor options

ZEISS direct VAST XXT  
ZEISS RDS C CAA including VAST XXT  
ZEISS VAST XT gold  
Covered by five sizes



### Get more performance

#### with ZEISS VAST XT gold

Form measurement error for roundness with a RONT of 1.8  $\mu\text{m}$  for 5/5/6



### Get the best value in this class

#### Highest quality from leading technology

with a  $MPE_{E0}$  of 1.8+L/300  $\mu\text{m}$  for 5/5/6



### Get faster

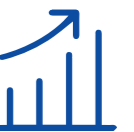
#### More possibilities - fastest qualification

ZEISS RDS C including CAA allows a qualified system of all 20,736 possible angles in approx. 12 minutes.



### Reliability

Floating mounted glass ceramic scales for eliminating the temperature scale deflection, meaning temperature sensors are not required.



### Small footprint

Backpack controller, as well as passive damping system and earthquake protection.



2.5 degree  
20,736 possible angles

# ZEISS SPECTRUM

Sensors and Sizes



For fast & easy measurement

**ZEISS SPECTRUM**  
with **ZEISS direct XDT**  
Single Point Measurement

Sizes:  
5/5/6  
7/7/6  
7/10/6  
10/12/6  
10/16/6



For higher data quality

**ZEISS SPECTRUM**  
with **ZEISS direct VAST XXT**  
Scanning Technology

Sizes:  
5/5/6  
7/7/6  
7/10/6  
10/12/6  
10/16/6



For complex parts

**ZEISS SPECTRUM**  
with **ZEISS RDS C5 CAA**  
including **ZEISS VAST XXT**  
Scanning Technology with  
articulating probe and CAA  
(Computer Aided Accuracy)  
for faster operating time

Sizes:  
5/5/6  
7/7/6  
7/10/6  
10/12/6  
10/16/6



# ZEISS SPECTRUM plus

Sensors and Sizes



For higher data quality

**ZEISS SPECTRUM plus**  
with **ZEISS direct VAST XXT**  
Scanning Technology

Sizes:  
5/5/6  
7/7/6  
7/10/6  
10/12/6  
10/16/6



For even more angular positions

**ZEISS SPECTRUM plus**  
with **ZEISS RDS C CAA**  
including **ZEISS VAST XXT**  
Scanning Technology with  
articulating probe and CAA  
(Computer Aided Accuracy)  
for faster operating time

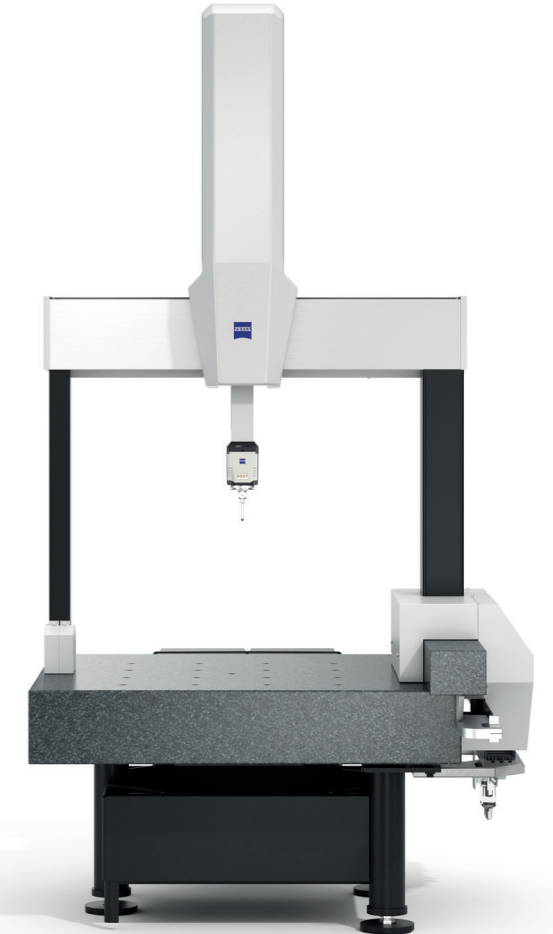
Sizes:  
5/5/6  
7/7/6  
7/10/6  
10/12/6  
10/16/6



For active scanning

**ZEISS SPECTRUM plus**  
with **ZEISS VAST XT gold**  
Active scanning &  
single point measurement

Sizes:  
5/5/6  
7/7/6  
7/10/6  
10/12/6  
10/16/6





**Connect to Productivity**  
and manufacture a better future

**Carl Zeiss**  
**Industrielle Messtechnik GmbH**  
73446 Oberkochen/Germany

Vertrieb: +49 7364 20-6336  
Service: +49 7364 20-6337  
Fax: +49 7364 20-3870  
info.metrology.de@zeiss.com  
www.zeiss.de/imt

More information on:  
[www.zeiss.com/spectrum](http://www.zeiss.com/spectrum)

**Carl Zeiss**  
**Industrial Metrology, LLC**  
6250 Sycamore Lane North  
Maple Grove, MN 55369/USA

Phone: +1 763 744-2400  
Fax: +1 763 533-0219  
info.metrology.us@zeiss.com  
www.zeiss.com/metrology