

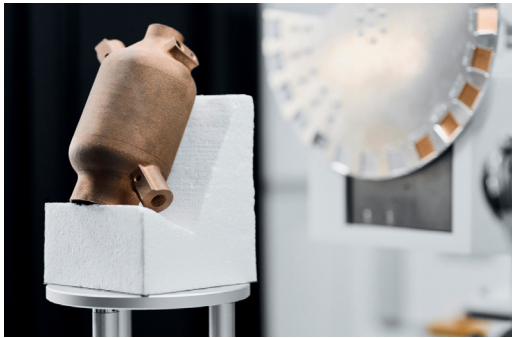
ZEISS OmniFix CT foam curved 0,018 g/cm³

For the Individual Positioning of Small Components



Seeing beyond

Are you looking for a sustainable solution to position your small-sized component horizontally or vertically? The ZEISS OmniFix CT foam curved 0.018 g/cm³ is an easy and time-saving solution for positioning small components as the foam is pre-cut and can be used in a horizontal or vertical position at a 25-degree angle. The foam is available in two versions, with or without a metal plate, and can be secured using the magnets of the ZEISS GAMMA pallet series or the OmniFix CT reach. The foam without the metal plate can also be secured by pressing it onto a pointed object.



Benefits

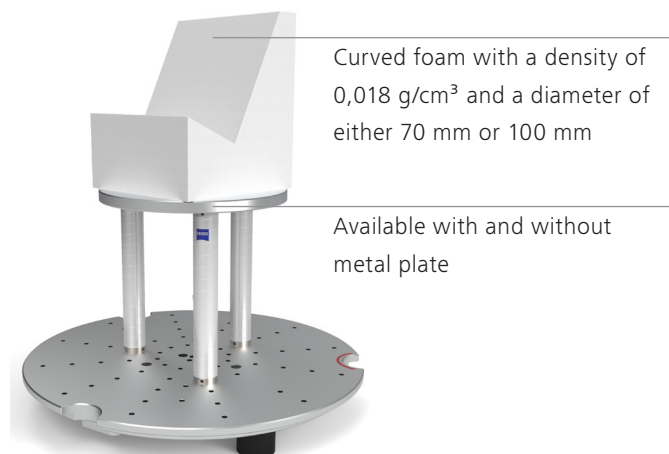


- Time efficient as the foam is already pre-cut.
- Flexible positioning of smaller products regardless of shape.
- Maximum flexibility as the foam is available with or without a metal plate.
- Compatible with various ZEISS Accessories.

Technical Data

- **Density:** approx. 0,018 g/cm³
- **Length:** 120 mm
- **Width:** 120 mm
- **Height:** 150 mm
- **Available with or without metal plate**
- **Amount of pieces:** 2
- **Compatible with**
 - ZEISS pallets
 - ZEISS OmniFix CT reach

Scope of ZEISS OmniFix CT foam curved 0,018 g/cm³



Carl Zeiss Industrial Metrology, LLC

62507 Sycamore Lane North
Maple Grove, MN 55369/ USA

Phone: +1 800 327-9735

info: accessories.metrology.global@zeiss.com



zeiss.ly/metrology/shop/en