

High performance on the smallest space.



ZEISS BOSELLO HEX



ZEISS BOSELLO HEX

ZEISS BOSELLO HEX enables fast inspections of small to mid-sized castings in a very small place – for everyone. With this system you can flexibly configure your optimum 2D X-ray solution that fits your needs and your budget!



EASY TO USE

The user-friendly and intuitive programming and teach-in procedure allows an easy operation of the system and software.



SAVE SPACE

Inspect your castings on the smallest space in your lab. With ZEISS BOSELLO HEX having a footprint of only 3 m², you save a lot of valuable space!



CLEVER AND ROBUST DESIGN

With its robust design ZEISS BOSELLO HEX is perfectly built for the production environment. The cabinet is completely self-contained and allows easy transportation and installation.



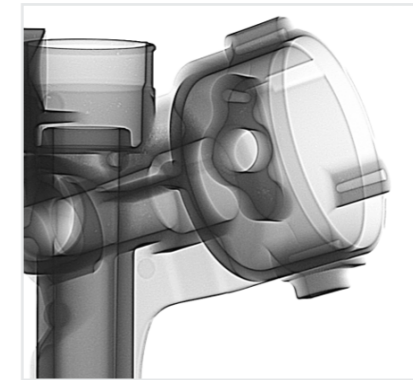
GET SHARP RESULTS

The unique image processing algorithms of our software guarantee best 2D image quality. Using additional filters and image corrections, the software can visualize even small defects more reliably.

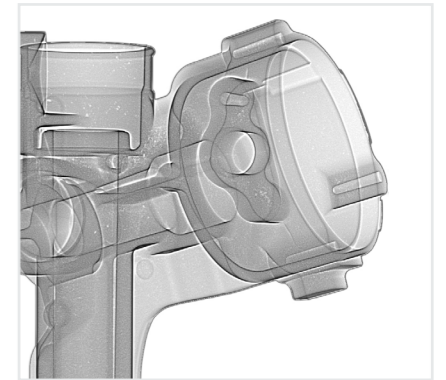
Unprocessed image



Intermediate processed image



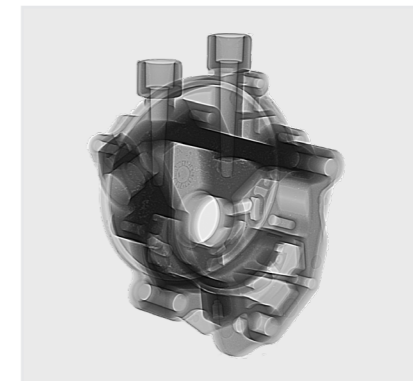
Final processed image



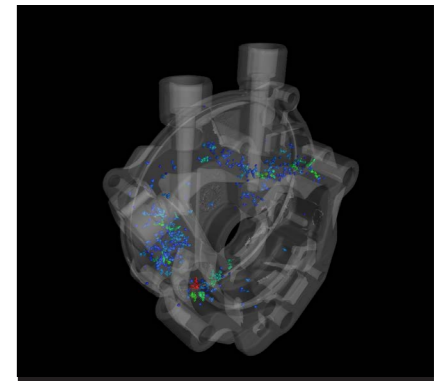
SEE IT IN 3D

All ZEISS BOSELLO HEX systems are CT ready, which means you can easily capture a set of images to generate 3D models of your castings. This option allows you to get more information about the defects, including its three-dimensional volume and location in a third-party software.

2D



3D



ZEISS BOSELLO HEX – FEATURES

	ZEISS BOSELLO HEX 40.50 MAN	ZEISS BOSELLO HEX 50.70 MAN	ZEISS BOSELLO HEX 50.70 CNC
Inspection envelope	ø 400 x H 500 mm	ø 500 x H 700 mm	ø 500 x H 700 mm
CT measuring cylinder (øxH)	Not available	Not available	160 x 160 mm
Output voltage	160 kV	160 kV / 225 kV	160 kV / 225 kV
Pixel size 8 inches FPD detector	200 µm / 400 µm	200 µm / 400 µm	200 µm / 400 µm
Axes speed	up to 8 m/min	up to 10 m/min	up to 15 m/min
Compatible software	BHT IP Plus*, BHT DDA evaluator		

*Optional: „Extreme“ version

Carl Zeiss
X-ray Technologies Srl
21012 Cassano Magnago, VA / Italy
Phone: +39 0331 776109
Email: xray.iqs.it@zeiss.com
Internet: www.zeiss.it/bosello

Carl Zeiss
Industrial Metrology, LLC
6250 Sycamore Lane North
Maple Grove, MN 55369/USA
Phone: +1 763 744-2400
Fax: +1 763 533-0219
Email: info.metrology.us@zeiss.com
Internet: www.zeiss.com/bosello