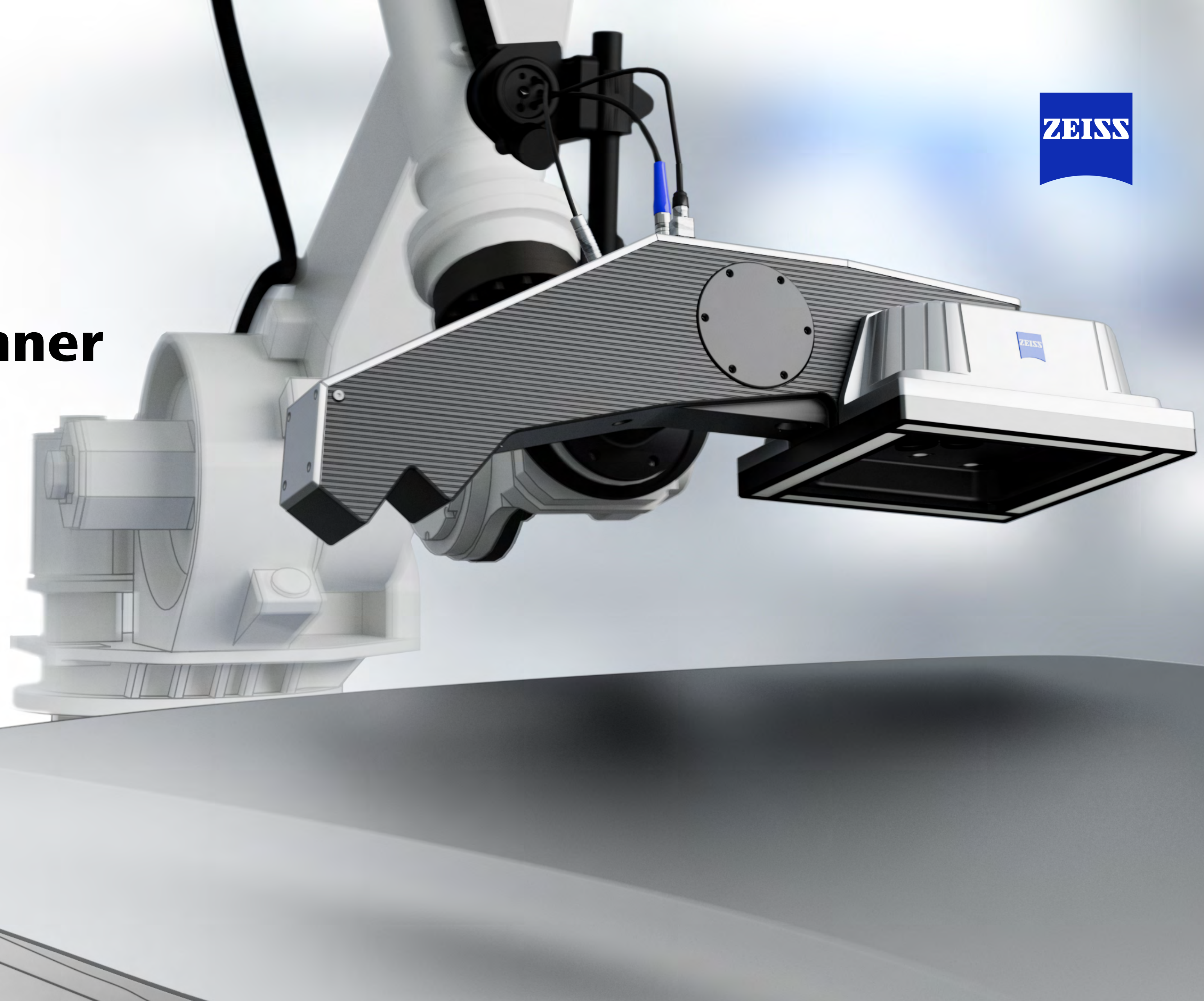




ZEISS ABIS Planner

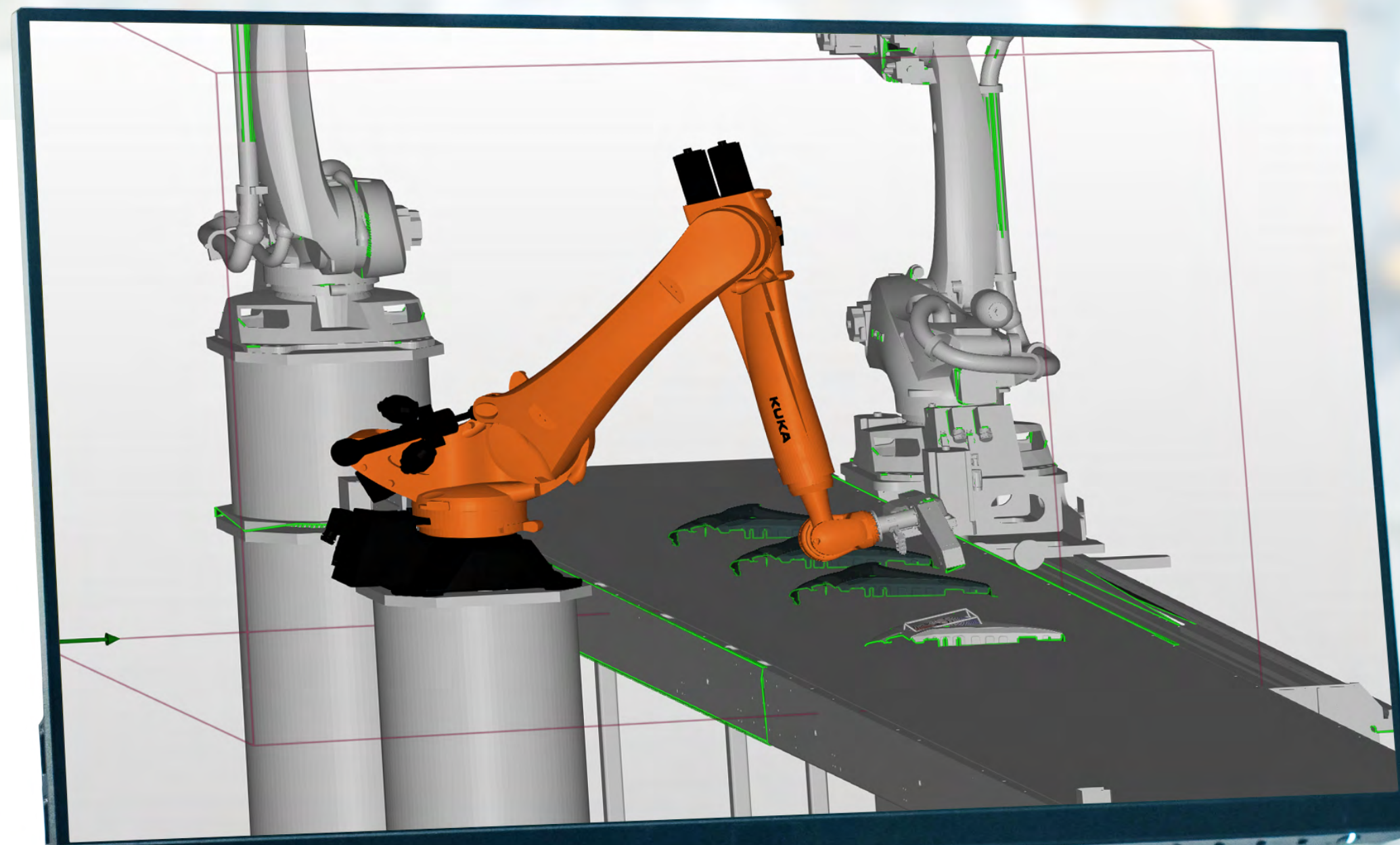
Efficiency in
Surface Inspection



Plan Offline, Check Live

ZEISS ABIS Planner is your efficient offline tool for creating test programs in the robot cell. New test programs can be created and added without interrupting ongoing operations.

**Your advantage:
reduced downtimes in production**

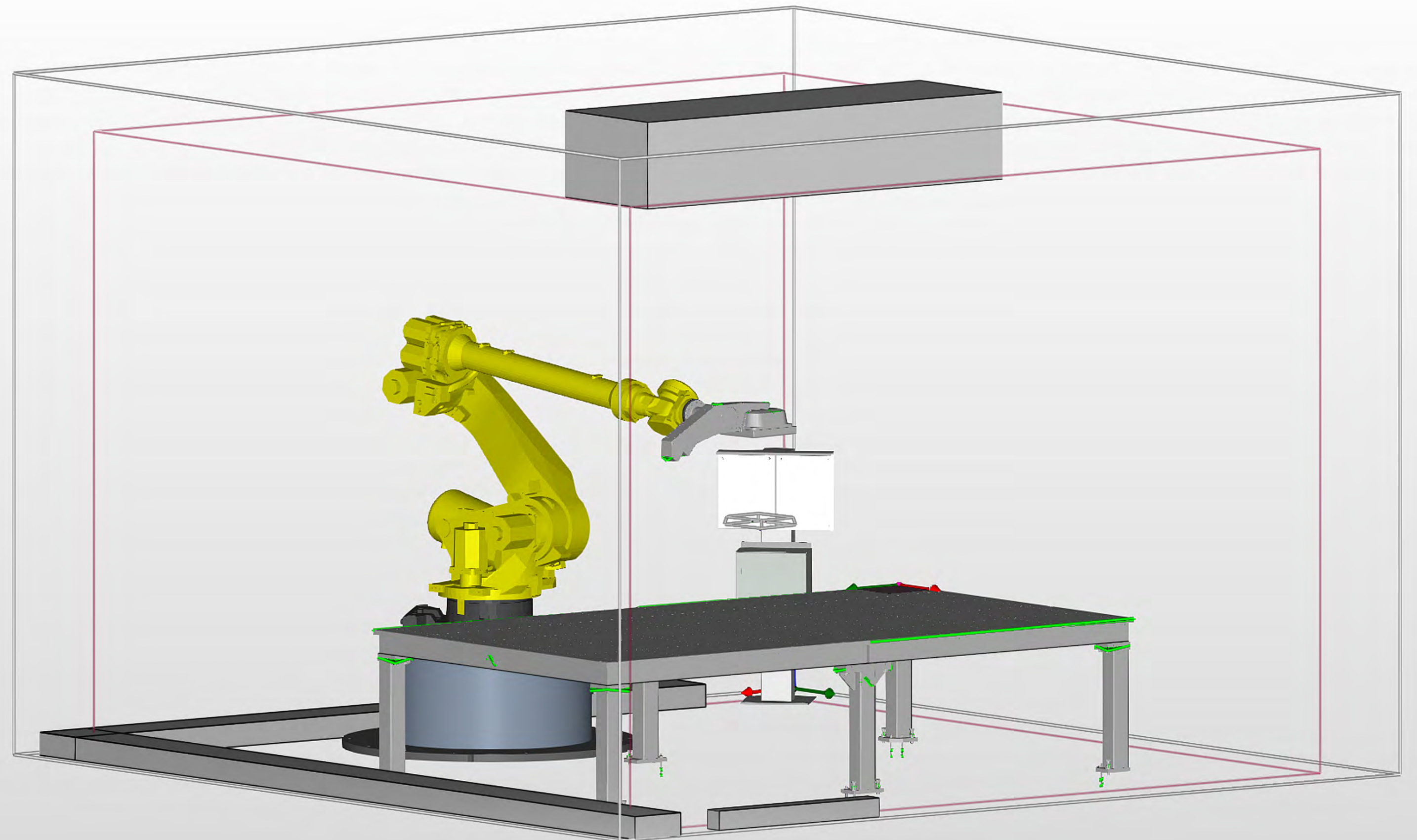


The Most Important Software Features at a Glance

Robot programming: Fast. Simple. Efficient.

With ZEISS ABIS Planner, you save time and money. Create virtual robot cells and positions offline. Access your already created projects even faster.

- Creation of the virtual robot cell as a true to scale 3D model by importing CAD data or using standard geometries (cuboid, sphere, cylinder, cone)
- Individually expandable robot libraries
- Pre-programmed robot movements, including home position and axis limits
- Sensor adjustment through “Click and Pick” function
- Automatic collision check and error visualization
- Mirror function
- Optimal sensor positioning to the part by virtual eye image



Reduced Programming Efforts – High System Availability

- Significant time saving when configuring an ABIS station
- Increase of productivity and efficiency
- Avoiding downtimes of the production system due to programming efforts
- Much earlier use of surface inspections in production ramp-up possible
- High usability – no robot expertise required



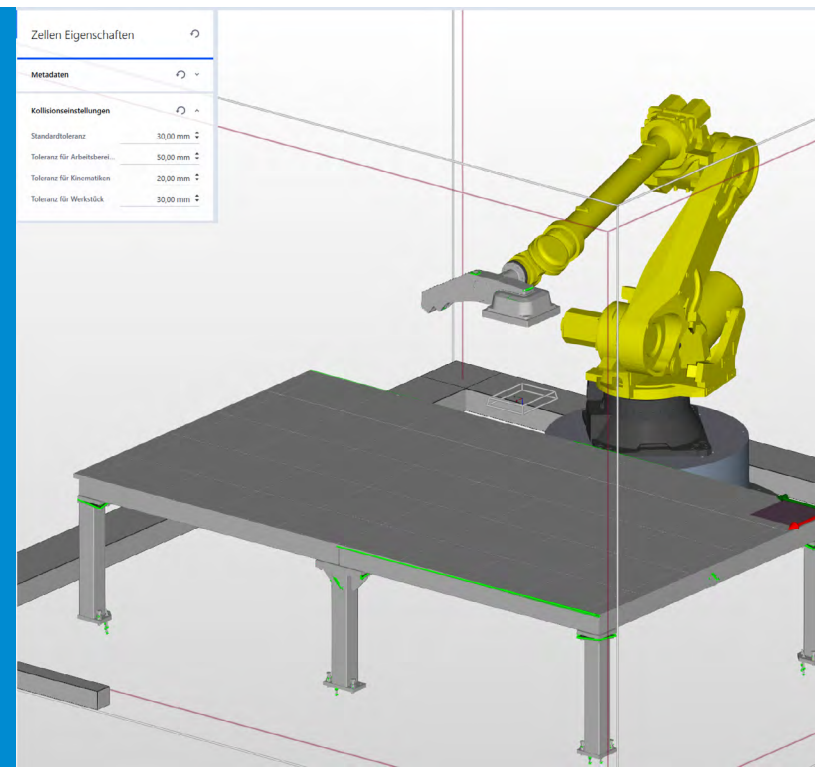
In Four Steps

to the Finished Test Program

01

Select robot cell

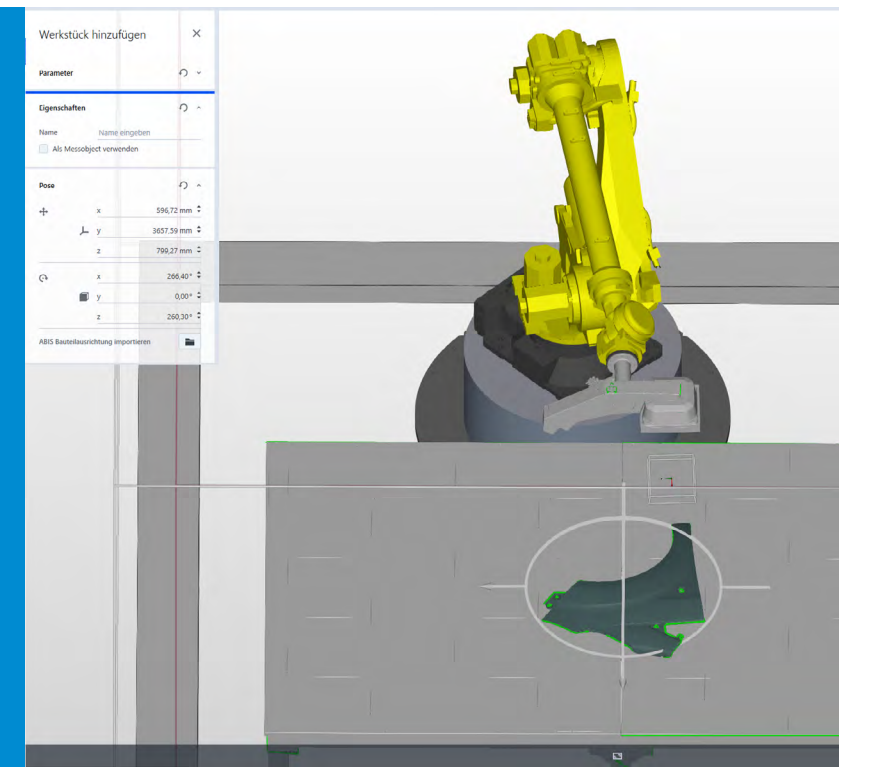
Create your robot cell with the editor, import a CAD model of your cell or select an already created layout from your database.



02

Add workpiece

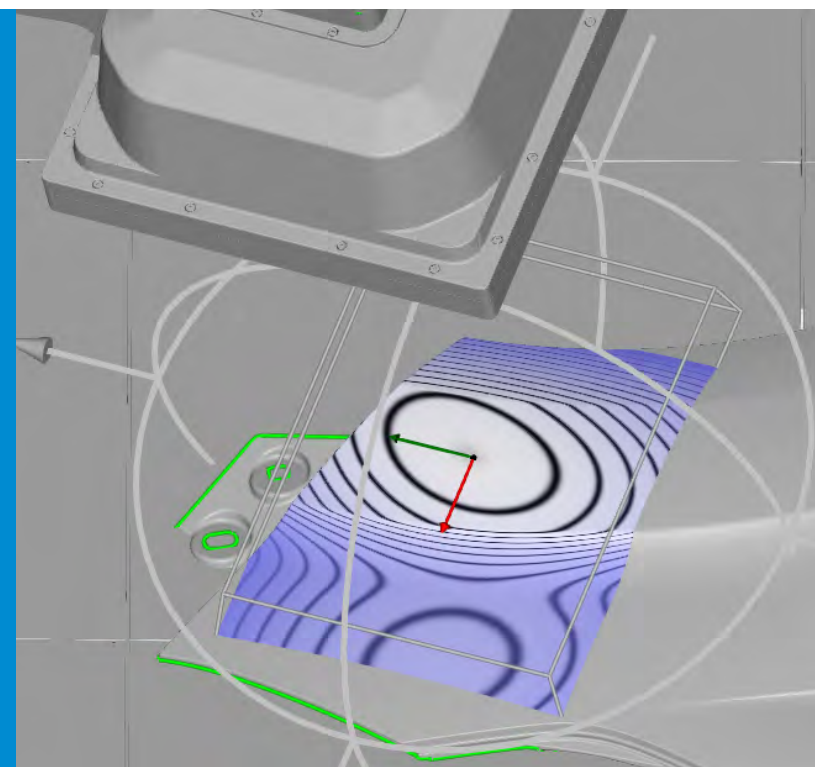
Select the workpiece to be inspected and place it on the table or conveyor belt. The cell's own coordinate system makes positioning easier for you.



03

Sensor positioning

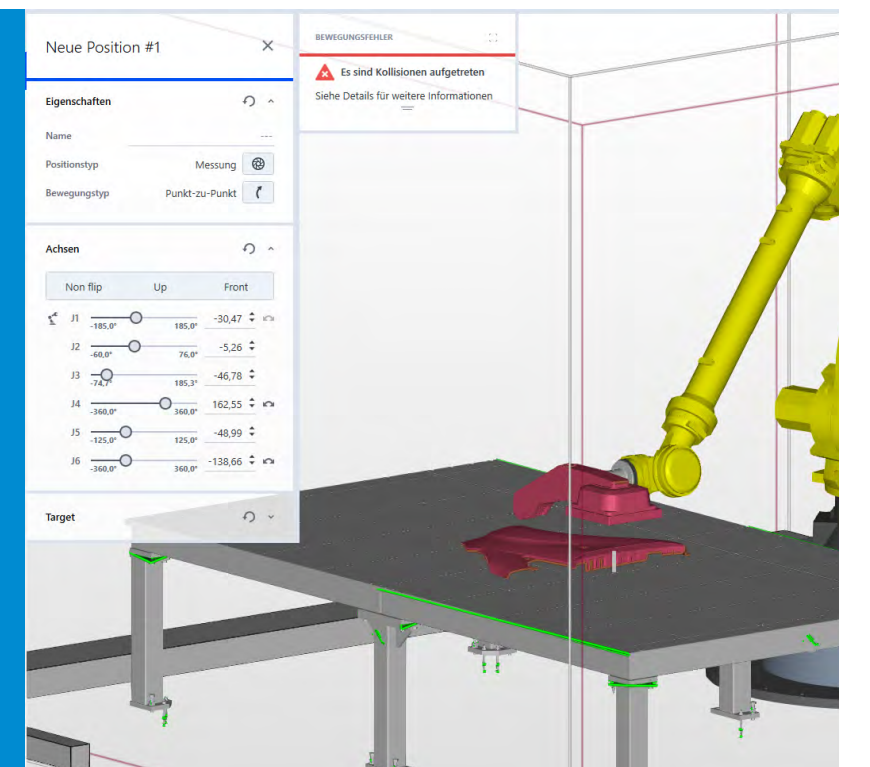
Define the inspection or by-pass positions – manually or via “Click and Pick”. Check the optimal sensor position via the patented virtual eye image. Alternatively, you can import an already stored test program.



04

Automatic collision check

In the virtual test run, collisions or errors are shown to you. Repositioning the part on the table/conveyor belt or manually customizing the inspection program makes an optimum process possible.



ZEISS ABIS Planner

System Specifications

3D Robot Cell Creation

Components	CAD import or standard geometries (cuboid, sphere, cylinder, cone)
EASY-ROB™ robot library	KUKA, FANUC, YASKAWA pre-installed, individually expandable

Test Program Creation

Sensor positioning	Robot-specific movements pre-programmed, positioning manually or via "Click and Pick"
Safety	Collision check and error visualization in virtual test run

System Requirements

Hardware	Must correspond to the specification of Carl Zeiss Optotechnik GmbH for the respective sensor type used; Nvidia graphic card required
Operating system	Microsoft Windows 10 Enterprise LTSC 2016 (Version 1607, 64-Bit) Microsoft Windows 10 Enterprise LTSC 2019 (Version 1809, 64-Bit)

Options

Languages	German, English
-----------	-----------------





Seeing beyond