



## **ZEISS ARTEVO 850**

Technical Specifications



Seeing beyond

## ZEISS ARTEVO® 850

<b>Visualization</b>	4K HDR 55" 3D monitor 2x 3-Chip 4K Cameras Digital and hybrid mode AdVision® augmented overlays: cataract assistance functions, phaco values (ZEISS QUATERA 700), OCT optionally
<b>Surgical microscope</b>	Smart DoF and DeepView to adjust depth of field Digital Color Assistant (DCA): preset bluish color codings and custom Magnification 3,5x - 21x (with objective lens f=200 and eyepiece 10x) Focus range: 70mm; FastFocus available Integrated electronic assistant scope (option) Integrated keratoscope ring (option)
<b>Illumination</b>	Stereo Coaxial Illumination (SCI) RGB LED (adjustable light color temperature 3000K-6000K) or Xenon Superlux Eye Optional filters available
<b>Slit illumination</b>	Integrated slit illuminator Slit widths: 0.2 mm, 2 mm, 3 mm, 4 mm Slit height: 12 mm Second light source option for motorized external slit illuminator VISULUX

## ZEISS Intraoperative OCT

<b>Scan parameters</b>	A-Scan depth: 2.9 and 5.8 mm in tissue Scan length adjustable 3 – 16 mm Different scan modes for live and capture acquisition Scan-location or side-aligned B-scans Scale indicator Automatic noise reduction on/off AutoZ Z tracking and XY tracking
------------------------	--

## ZEISS RESIGHT family

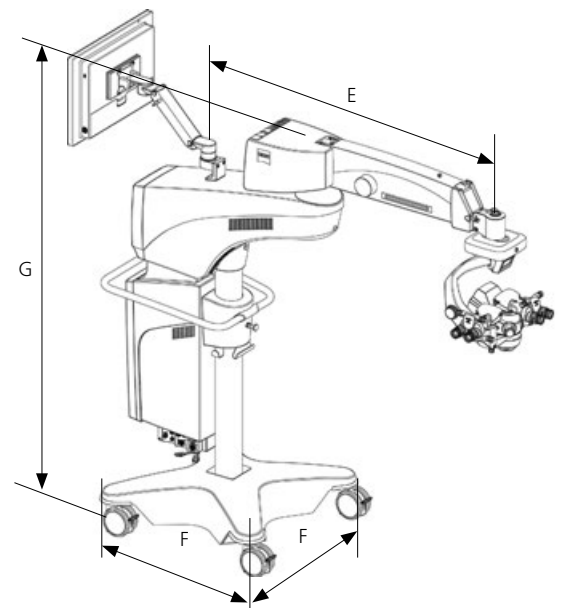
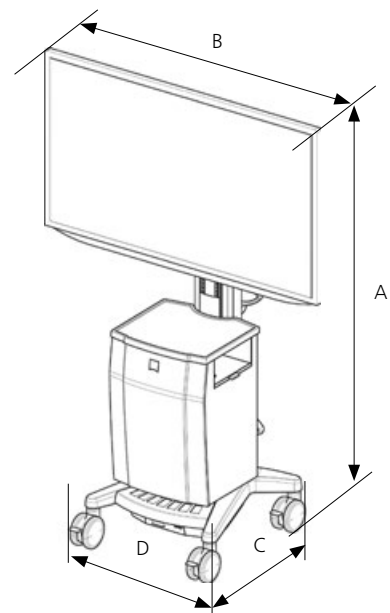
<b>Fundus viewing systems</b>	ZEISS RESIGHT 700 AutoAdjust® for automatic anterior/posterior profile switching
<b>Lenses available</b>	60D and 128D (reusable)

## ZEISS CALLISTO eye

<b>Software</b>	Version 5.0
<b>Hardware</b>	Panel PC III
<b>Recording</b>	Integrated high quality MPEG 1080p 60/50 fps video recording, including AdVision overlays

## Measurements

<b>Monitor</b>	Total height (A) 1821 mm Monitor width (B) 1250 mm Monitor cart length (C) 721 mm Monitor cart width (D) 621 mm
<b>Microscope</b>	Swivel arm length (E) 1343 mm Microscope footprint (F) 805 mm Total height (G) 1880 mm





ARTEVO 750/850  
RESIGHT 700  
CALLISTO eye Panel PC



RESCAN 700  
CALLISTO eye Software



**Carl Zeiss Meditec AG**  
Goeschwitzer Strasse 51–52  
07745 Jena  
Germany  
[www.zeiss.com/med/contacts](http://www.zeiss.com/med/contacts)