

Elevate your surgical workflow



ZEISS ARTEVO 750

zeiss.com/artevo750



Seeing beyond






ZEISS ARTEVO 750

The powerhouse in visualization and digital connectivity

Introducing the ARTEVO® 750 from ZEISS, an optical ophthalmic microscope, designed to elevate your surgical workflow.

Based on ZEISS' heritage of developing leading-edge optical innovations, ZEISS ARTEVO 750 is the latest addition to the portfolio of ophthalmic microscopes, combining advanced technology with established optical expertise.

Experience LED RGB illumination, AdVision® data overlays and digital integration into the ZEISS Medical Ecosystem – for excellent usability and a seamless end-to-end workflow.

-  Finetune your surgical view
-  Excellent usability
-  End-to-end workflow integration

Finetune your surgical view

Adjustable light color temperature

RGB LED illumination allows you to select different light color temperatures according to your preferences, to illuminate the surgical field as needed. Tailor the light to your surgical needs, or have it adjust automatically according to your surgical profile. The well-established Stereo Coaxial Illumination (SCI) delivers highly stable and high contrast red reflex.

ZEISS ARTEVO 750 also presents AdVision® a system that overlays surgery data into your eyepiece at higher* resolution.



RGB LED illumination

Customize your surgical view by selecting the light color temperature you need: a mix of red, green and blue LEDs generate different light color temperatures, from cold to warm, with a high-quality light spectrum and a color rendering index (CRI) of > 85 at 5500 K.

LEDs are an economical light source that do not need regular replacement like halogen or xenon bulbs, reducing the costs of ownership of the microscope.

AdVision

Data overlays are injected into your eyepiece at a 40%* higher resolution and high contrast. Select from a wide range of cataract assistance functions, phaco parameters of QUATERA® 700 from ZEISS, or intraoperative OCT.

* Data on file. Compared to the previous generation ZEISS OPMI LUMERA 700.

Excellent usability

One centralized point of control

Streamline your OR workflow with the intuitive cockpit of the new CALLISTO eye® from ZEISS: a central point of control giving you access to patient management, cataract assistance functions to align toric IOLs precisely, and device settings via one simplified user interface.



CALLISTO eye at a glance

Redesigned graphical user interface

The ZEISS CALLISTO eye cockpit features a redesigned graphical user interface that is intuitive and easy to use.

Surgeon-controlled assistance functions

The assistance functions can be completely surgeon-controlled with a push of a button on either the foot control panel or the handgrips.

End-to-end workflow integration

Following your efficiency demands

Digital integration of ZEISS ARTEVO 750 into the ZEISS Cataract Workflow allows pre-operative data to be imported seamlessly from ZEISS IOLMaster 700 and ZEISS EQ Workplace. After surgery, you can view, analyze and share cases with ZEISS Surgery Optimizer featuring AI-based video segmentation. The optionally available integrated intraoperative OCT integrates into your workflow with excellent usability.

The ZEISS Cataract Workflow strives for efficiency without compromise by providing a seamless integration from the office to the OR and back.



* ZEISS VERACITY Surgery Planner for US and Canada.

Technical data

ZEISS ARTEVO 750

Visualization	AdVision® augmented ocular visualization via high-resolution data injection: cataract assistance functions, phaco values (ZEISS QUATERA 700), OCT optionally Integrated 1-chip or 3-chip camera
Surgical microscope	DeepView to adjust depth of field Magnification 3,5x - 21x (with objective lens f=200 and eyepiece 10x) Focus range: 70mm; FastFocus available Integrated electronic assistant scope (option) Integrated keratoscope ring (option)
Illumination	Stereo Coaxial Illumination (SCI) RGB LED (adjustable light color temperature 3000K-6000K) or Xenon Superlux Eye Optional filters available
Slit illumination	Integrated slit illuminator Slit widths: 0.2 mm, 2 mm, 3 mm, 4 mm Slit height: 12 mm Second light source option for motorized external slit illuminator VISULUX

ZEISS Intraoperative OCT

Scan parameters	A-Scan depth: 2.9 and 5.8 mm in tissue Scan length adjustable 3 – 16 mm Different scan modes for live and capture acquisition Scan-location aligned B-scans Scale indicator Automatic noise reduction on/off AutoZ Z tracking and XY tracking
------------------------	--

ZEISS RESIGHT family

Fundus viewing systems	ZEISS RESIGHT 700 AutoAdjust® for automatic anterior/posterior profile switching
-------------------------------	---

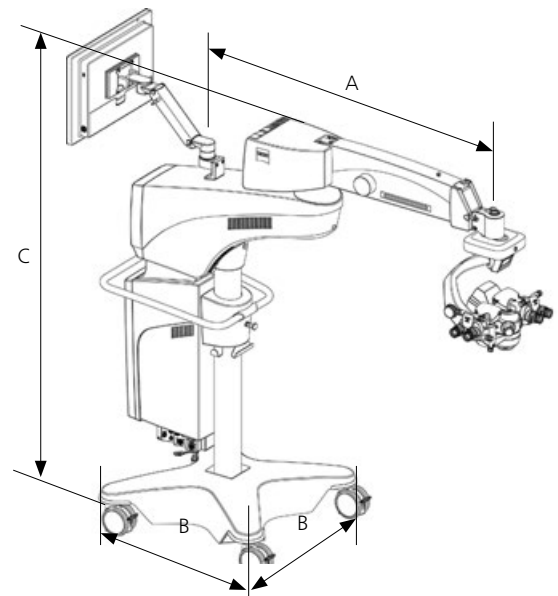
Lenses available 60D and 128D (reusable)

ZEISS CALLISTO eye

Software	Version 5.0
Hardware	Panel PC III
Recording	Integrated high quality MPEG 1080p 60/50 fps video recording, including AdVision overlays

Measurements

Microscope	Swivel arm length (A) 1343 mm
	Microscope footprint (B) 805 mm
	Total height (C) 1880 mm





ARTEVO 750/850
RESIGHT 700
CALLISTO eye Panel PC



0297
RESCAN 700
CALLISTO eye Software



Carl Zeiss Meditec AG
Goeschwitzer Strasse 51–52
07745 Jena
Germany
www.zeiss.com/artevo750
www.zeiss.com/med/contacts

en-INT_32_010_016911 CZ-IV/2024 International edition: Only for sale in selected countries.
The contents of the brochure may differ from the current status of approval of the product or service offering in your country. Please contact our regional representatives for more information.
Subject to changes in design and scope of delivery and due to ongoing technical development. ARTEVO, CALLISTO eye, RESIGHT, Advision, AutoAdjust and QUATERA are either trademarks or registered trademarks of Carl Zeiss Meditec AG or other companies of the ZEISS Group in Germany and / or other countries.
© Carl Zeiss Meditec AG, 2024. All rights reserved.