

Enhancing treatment and comfort.



ZEISS OPMI PROergo



zeiss.com/opmi-proergo

Seeing beyond



ZEISS OPMI PROergo

Comfort and precision

The legendary optics of ZEISS surgical microscopes allow you to visualize details and fine structures, therefore enhancing the quality of your examination and treatment in all dental disciplines. They provide you with clear visibility of regions that are otherwise difficult to view. The ergonomic design of the OPMI PROergo® from ZEISS facilitates a comfortable working position and helps prevent back and neck pain.

ZEISS OPMI PROergo is excellence at your fingertips. It offers a variety of convenient, motorized functions that support effortless handling and mechanical stability. The virtually free-floating system allows smooth and precise positioning in an appealing, sleek and compact design.

Optics and illumination

See more – treat more

ZEISS OPMI PROergo enables you to view regions that are otherwise difficult to see. The coaxial illumination directs light to where it is needed. Even very narrow root canals are effectively illuminated and visualized.

Automatic brightness control

The brightness settings adjust automatically as you decrease or increase magnification levels to view the entire oral cavity or fine anatomical structures.

Change the focus without moving

The built-in Varioskop® allows you to adjust the focal length over a range of 200 mm – 415 mm to focus on the whole oral cavity in the vertical axis – without moving the microscope or changing your position.

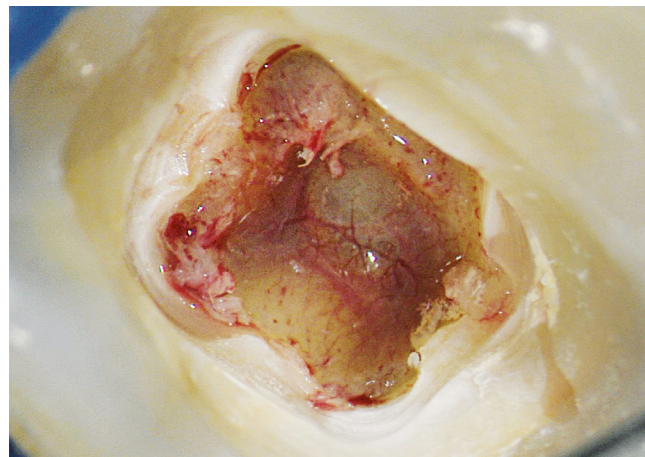


Image courtesy of Dr. Bijan Vahedi, Augsburg, Germany

High-performance xenon illumination

For even the highest demands and professional documentation, the shadow-free illumination directs light to exactly where it is needed. Even root canals are perfectly illuminated and imaged.

Flexible precision optics

The Foldable Tube f170/f260 combines brilliant apochromatic optics and a unique design for high visualization flexibility. It offers dentists a wide range of magnification potential – even at extreme approach angles.

Comfort and handling

For your own health

Sit comfortably in an upright, ergonomically correct position during treatment for a more relaxed working day. ZEISS OPMI PROergo helps prevent the early onset of fatigue as well as neck and back problems.



Foldable Tube f170/f260

ZEISS OPMI adapts to you, not vice versa

The motorized Varioskop is already integrated into your ZEISS OPMI PROergo. With its long reach, this highly flexible system easily accommodates your needs. The Foldable Tube f170/f260 offers a wide range of comfortable working postures by reducing or increasing the distance to the required treatment field.

Functional, motorized and ergonomic design

Control the focus and zoom and set the other configurable function buttons to operate brightness and SpeedFokus. The treatment field is focused at the push of a button without having to move ZEISS OPMI PROergo or change your working posture.

Positioning

Balance and brake – for effortless and precise positioning

The free float magnetic system allows you to maneuver ZEISS OPMI PROergo easily into the desired working position – even if additional accessories such as the coobservation tube and photo adapter with SLR camera are simultaneously connected.



Free float magnetic system



Photo adapter for SLR cameras (f=340 mm)



Co-observation tube and 1Chip HD Camera (1080p)

Free float magnetic system

By unlocking the magnetic clutches on the handgrip, you can maneuver ZEISS OPMI PROergo effortlessly and precisely into the desired position and orientation. After the handgrip has been released, the brakes are locked automatically to ensure

that the position remains stable and secure. The system can compensate for accessories weighing up to 14 kg such as an optical co-observation tube or a photo adapter with camera.

Digital visualization

Greater clarity in patient consultations and scientific presentations

A picture is worth a thousand words: Patients ask for detailed information to help them understand the examination, courses of treatment and the expected outcomes. Clear images and videos are extremely valuable to enhance your patient's understanding and acceptance.

Digital visualization in HD

The video camera for ZEISS OPMI PROergo allows you to visualize your surgical microscope images in full HD picture quality. Beneficial for coobservation or scientific presentations, this enables you to display the teeth and tissue structures with finer detail than with standard definition cameras. High contrast and ideal image definition are ensured through the built-in ZEISS apochromatic video optics. The camera starts with a pre-defined configuration and is therefore instantly ready to use with the surgical microscope.

Seamless workflow integration for video and still images

Combining the video camera with the HD video recorder allows you to digitally save your high-quality images. With the push of a button on the handgrip of the surgical microscope you can save video or still images to a USB storage device or automatically transmit them to a network storage system.

Digital photography

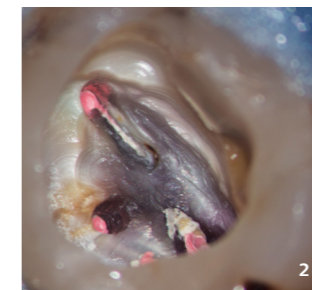
It is also optionally possible to attach SLR cameras to the surgical microscope.



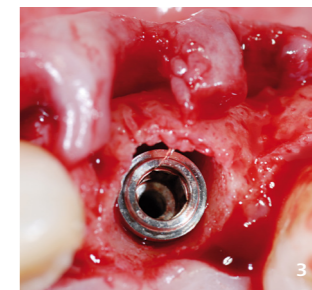
1Chip HD Camera (1080p)



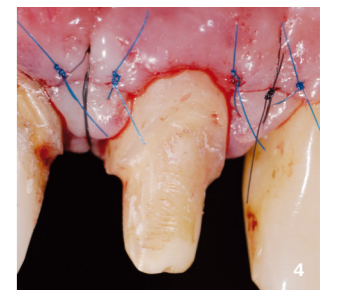
Restorative dentistry
Quickly detect enamel and dentine fractures as well as approximal caries. High-precision views enable accurate assessment of crown edges, preparation levels and veneers.



Endodontics
Visualize fine anatomical structures and details of root canals and isthmuses. The visibility provides a clear view down to the apex.



Implantology
Conduct high-precision examinations and implant treatments quickly and confidently. Reliably detect important anatomical structures.



Periodontics
Benefit from support for soft-tissue evaluation and management to aid healing, low scarring and improved cosmetic outcomes.

Functionalities in a nutshell

ZEISS OPMI PROergo



1. Motorized Varioskop

At the push of a button focus on the treatment field within a working distance of 200 – 415 mm for a better and comprehensive overview – all without having to move the OPMI or change your position.

2. Motorized zoom

Continuous magnification. The brightness setting adjusts automatically as you increase or decrease magnification levels.

3. Magnetic clutches

The free float magnetic system offers smooth movement and precise, stable positioning. The push of a button on the handgrip releases the magnetic brakes.

4. Ergonomically designed handgrips with function keys

Control the focus and zoom and set the other configurable function buttons to operate brightness and SpeedFokus to control video recording.

5. Angled optics and tube dovetail

For work on difficult-to-reach areas.

6. Foldable Tube f170/f260

For an ergonomically correct posture, even with extremely angled positions. Boosts to 150 % detail magnification with the PROMAG function.

7. Stereoscopic image

Large visual field with widefield eyepieces (12.5x or 10x). Special diopter settings also make them suitable for eyeglass wearers.

8. Xenon illumination

This provides homogenous, high-contrast illumination of the treatment field and offers a light temperature characteristic of natural daylight. Two xenon lamps are included in the quickchange module.

9. 1Chip HD Camera

High definition for your patient consultation and documentation.

10. Control console

Default settings such as light, zoom or magnification can be personalized and stored for various users, making clinical transitions quick and easy.

Technical Data

S7 / OPMI PROergo from ZEISS

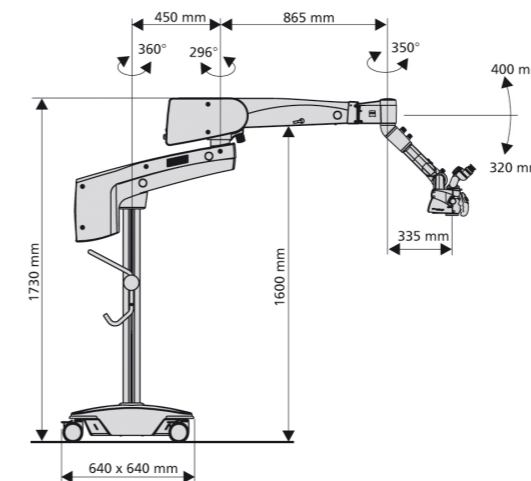
		Packages		
		Essential	Advanced	
Magnification system	Motorized zoom system; with apochromatic 1:6 ratio; magnification factor $Y = 0.4\times - 2.4\times$	●	●	
Eyepieces	12.5x widefield eyepieces	without reticle	●	-
		with reticle	○	●
	10x widefield eyepieces	without reticle	○	-
		with reticle	○	-
Tubes	Tilttable tube 0–180°	●	-	
	Foldable tube f170/260, incl. PROMAG function boost to 150% magnification and detail magnification	○	●	
Focus	Continuous motorized focusing via Varioskop	●	●	
	Focusing range of 200–415 mm	●	●	
	SpeedFokus only in combination with the video camera	□	□	
Illumination	Halogen illumination with 2 halogen reflector lamps in the quick-change module	●	-	
	Xenon illumination, with daylight characteristic including 2 xenon lamps in the quick-change model	○	●	
	Integrated coaxial cold light illumination	●	●	
	Orange filter for composite materials	●	●	
	Green filter	●	●	
	Swing-in illumination diaphragms	●	●	
Operating concept	Free float magnetic system	●	●	
	Multifunctional, programmable handgrips	●	●	
	LCD display with user guidance	●	●	
Magnification range	Example with working distance 300 mm and 12.5x eyepieces: Magnification 2.3x up to 14x Field-of-view diameter: 75 to 16 mm	●	●	
High definition video	1Chip HD Camera (1080p), 1/3" CMOS Output: DVI, HD-SDI, S-Video	□	□	
	HD video recorder	□	□	
Accessories	Angled optics	without side port	□	-
		with rotatable adapter	□	-
		with side port	□	●
		with side port & rotatable adapter	□	-
	Double iris diaphragm to increase the depth of field	□	□	
	Beam splitter 20 or 50	□	□	
	Stereo co-observer	□	□	
	Foot control panel for zoom and focus	□	□	
	Photo adapter for SLR cameras (f = 340 mm)	□	□	
	Instrument tray on floor stand	□	□	
Asepsis	Splash protection for the objective lens	□	□	
	VisionGuard® drapes	□	□	
	Sterilizable asepsis caps and handgrip covers	□	□	

		Packages	
		Essential	Advanced
Suspension system	S7 Floor stand	●	●
	S7 Wall mount (short or long arm)	○	○
	S7 Ceiling mount	○	○
	S7 Centro suspension system	○	○

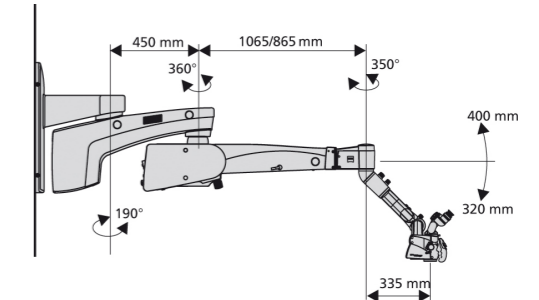
● Basic configuration ○ Package options □ Add-ons

Suspension system options

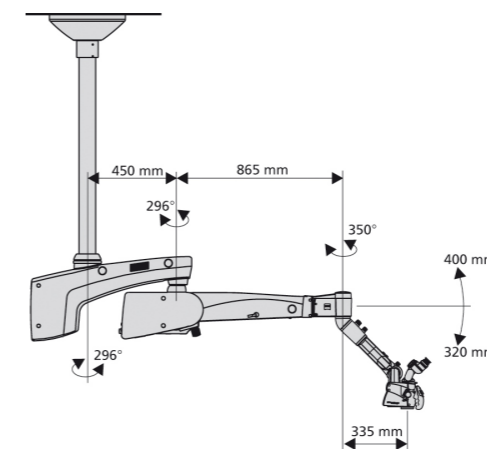
S7 Floor stand



S7 Wall mount (short or long arm)



S7 Ceiling mount



S7 Centro suspension system

- 1 Image courtesy of Dr. Alessandro Conti, Alessandria, Italy
- 2 Image courtesy of Oscar Freiherr von Stetten, Stuttgart, Germany
- 3 Image courtesy of Dr. Rino Burkhardt, Zurich, Switzerland
- 4 Image courtesy of Dr. Rino Burkhardt, Zurich, Switzerland



OPMI PROergo



Carl Zeiss Meditec AG

Goeschwitzer Strasse 51–52

07745 Jena

Germany

www.zeiss.com/opmi-proergo

www.zeiss.com/med/contacts

en-INT_30_010_013011 Printed in Germany. CZ-XII/2024 International edition: Only for sale in selected countries.

The contents of the brochure may differ from the current status of approval of the product, functions, or service offering in your country. Please contact our regional representatives for more information.

Subject to changes in design and scope of delivery and due to ongoing technical development. OPMI PROergo, Varioskop and VisionGuard are either trademarks or registered trademarks of Carl Zeiss Meditec AG or other companies of the ZEISS Group in Germany and / or other countries.

© Carl Zeiss Meditec AG, 2024. All rights reserved.