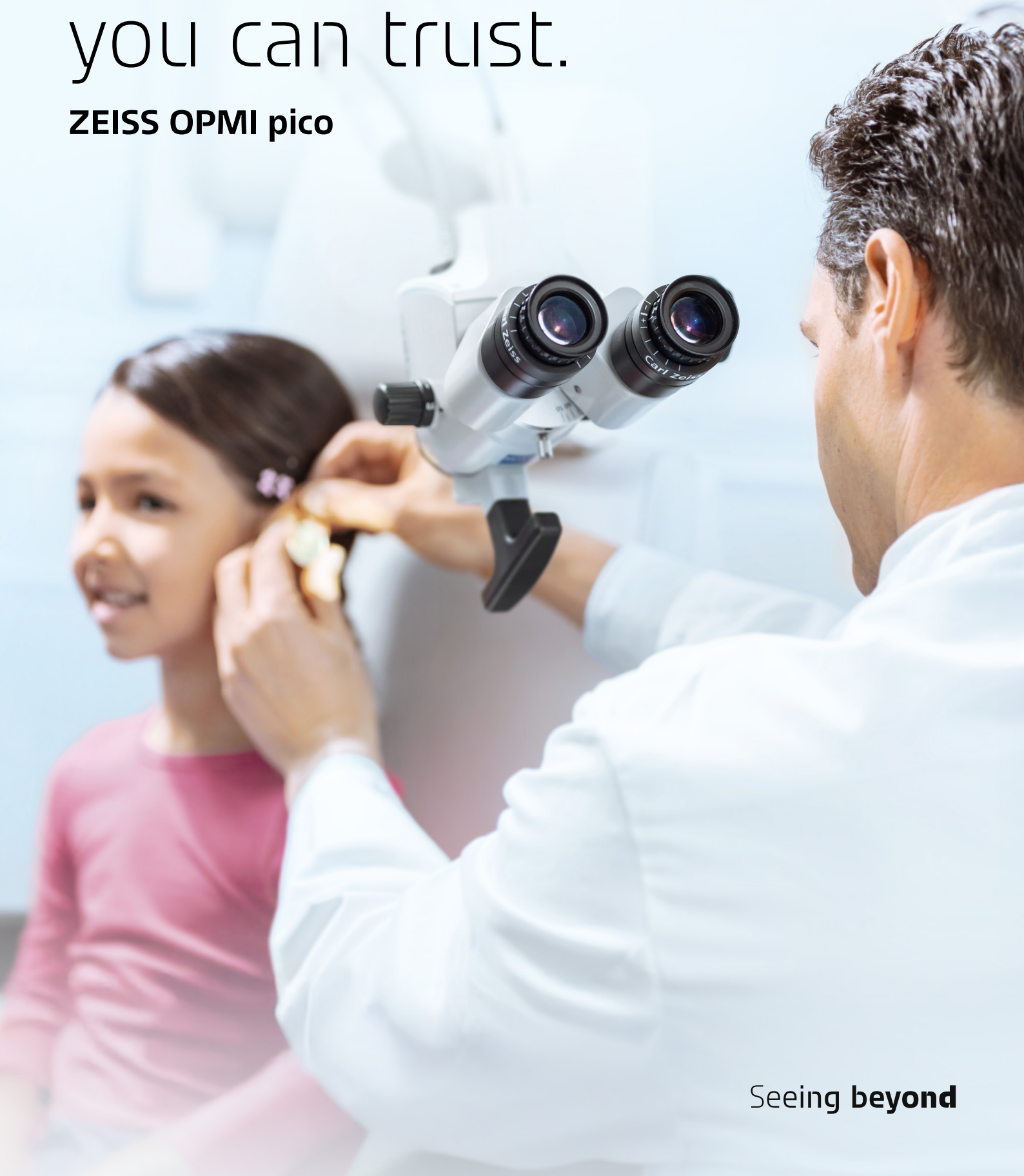




ZEISS

Performance you can trust.

ZEISS OPMI pico



Seeing **beyond**

For deeper insights through **clear visualization.**

ENT specialists worldwide trust ZEISS for premium optical performance and proven quality in their daily routines. The OPMI® pico from ZEISS offers high precision, usability, and quality, combining legendary optics with user-friendly interactions in a compact design. It now includes an integrated 4K image chain for co-observation and documentation, managed via a modern graphical user interface on the co-observation monitor, providing reliable daily support.

- **Clarity you can see**
- **Usability you can feel**
- **Moments you can capture**

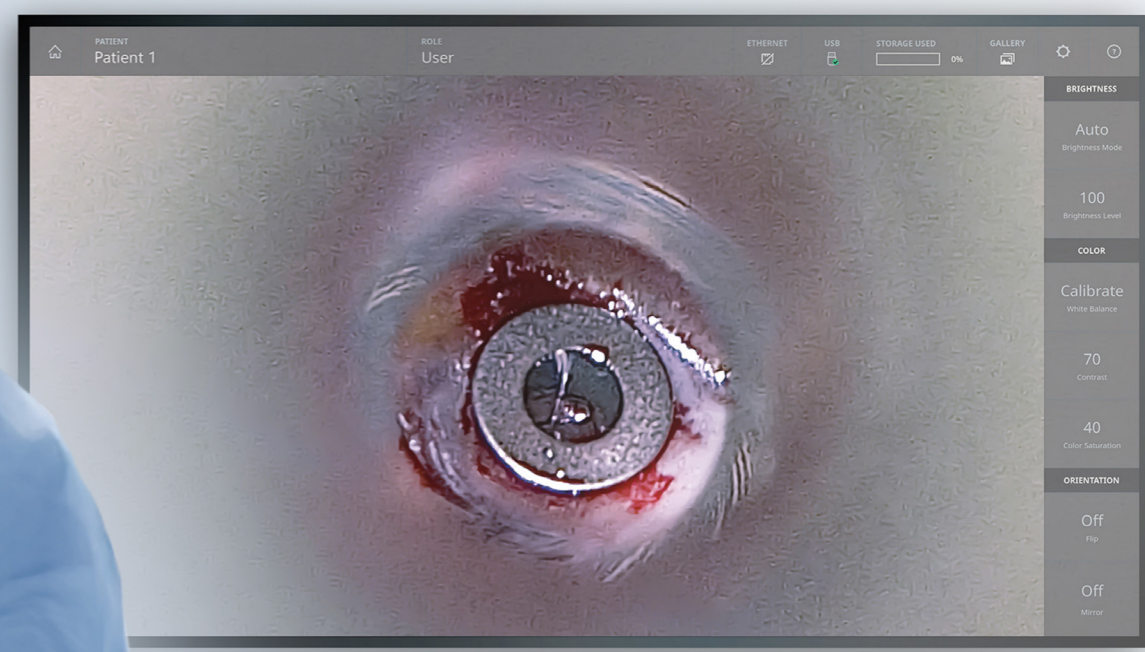




Clarity you can see with proven ZEISS visualization

Apochromatic ZEISS optics and coaxially aligned LED illumination enhance visibility even in narrow and deep channels. In combination with the Varioskop® 100, ZEISS OPMI pico brings fine structures and details into clear view. More importantly, it helps you perform high-quality examinations, treatments, and small surgeries with a high level of consistency.

Clarity improved – ZEISS OPMI pico



Varioskop® 100

The Varioskop 100 objective lens provides a large field of view while also enabling fine focus within the region of interest – without moving the surgical microscope. Maintain your ideal ergonomic position by selecting a preferred working distance.

Integrated 4K camera

Utilize the 4K camera to visualize anatomical structures during ENT examinations and small interventions on an external monitor in real time using standard video interfaces, or stream the images via the LAN network for live observation. The integrated camera of ZEISS OPMI pico delivers images and videos with high color fidelity, enabling you to distinguish fine anatomical details.



LED illumination for enhanced visibility

LED illumination

By providing well-distributed, true-to-color light that strongly resembles natural daylight, LED illumination enables better differentiation of anatomical structures and vessels – even in deep and narrow channels.

Usability you can feel with a compact and integrated design

As a compact, highly maneuverable manual surgical microscope, ZEISS OPMI pico is intuitive to use and easy to position. Functional elements are completely integrated into the stand to avoid workspace clutter. Enjoy compact design, a modern graphical user interface on the external monitor when displaying the microscopic view, and ergonomic functions in your daily work.

Usability optimized – ZEISS OPMI pico



The extra in adaptability

Tailor ZEISS OPMI pico to your needs



Floor stand



Ceiling mount



Wall mount



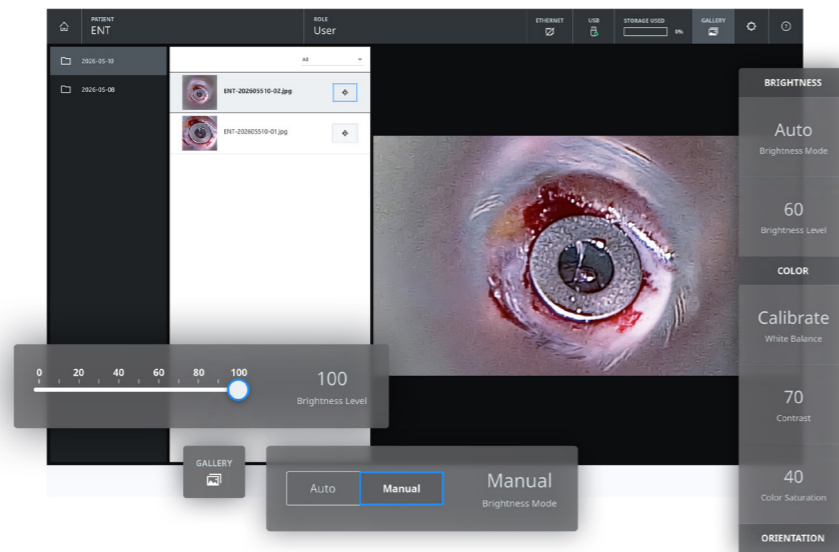
Treatment-unit integration

Compact design

With its small footprint, ZEISS OPMI pico fits seamlessly into virtually any practice environment. Several suspension system options – floor stand, ceiling mount, wall mount, and treatment-unit integration – allow you to find the right solution for your practice.

Graphical user interface (GUI)

ZEISS OPMI pico comes with an intuitive graphical user interface on the external co-observation monitor. Via this interface, you can adjust frequently used video settings – such as brightness, contrast, and color rendition – directly in the live view. The integrated file management allows you to save images and videos and review them, for example, using the side-by-side image comparison view.



Comfort T-handgrip

Position your ZEISS OPMI pico with a comfortable handgrip.



Remote control

Capture images and videos and adjust key video settings in the GUI.



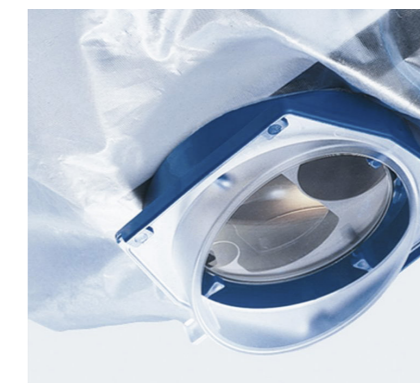
Asepsis caps

The restorable asepsis products, supplied by ZEISS, include caps that can be autoclaved.



Sterile drapes

ZEISS Surgical Drapes ensure optical clarity by functioning as a single optical unit with the microscope's objective.



Moments you can capture with 4K recording capabilities

As a compact, highly maneuverable manual surgical microscope, ZEISS OPMI pico is intuitive to use and easy to position. Functional elements are completely integrated into the stand to avoid workspace clutter. Enjoy compact design, a modern graphical user interface on the external monitor when displaying the microscopic view, and ergonomic functions in your daily work.

Usability optimized – ZEISS OPMI pico

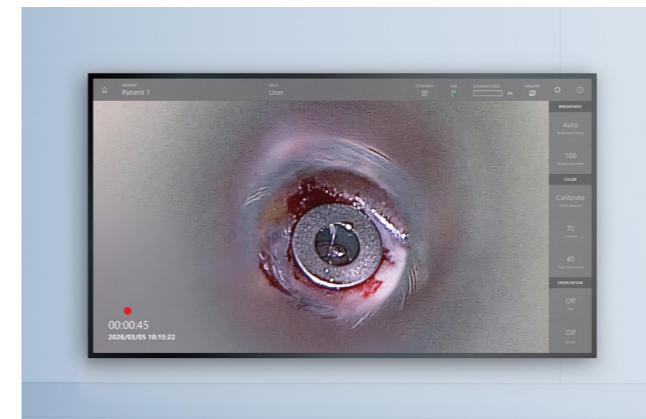


Foot control panel

Conveniently capture images for documentation during treatments or surgical procedures using the rocker switch to start and stop video recording or to take still images.

4K Recording

Conveniently capture videos and images during treatments or surgical procedures to visually walk your patients through their treatment or share your expertise with colleagues.



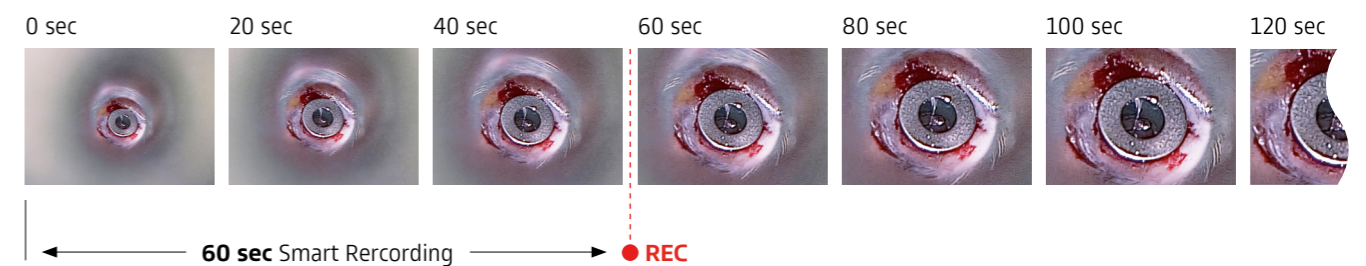
Streaming

Streaming the ZEISS OPMI pico image to a connected computer can be achieved via the LAN interface in HD or UHD quality.



Smart Recording

Smart Recording automatically adds up to 60 seconds of footage captured before the video recording button is pressed, helping to avoid missing important scenes that have just occurred. In the fast-paced ENT environment, this opportunity to record retrospectively can help document even unexpected moments and facilitate accurate documentation.



Technical data

S100 / OPMI pico from ZEISS

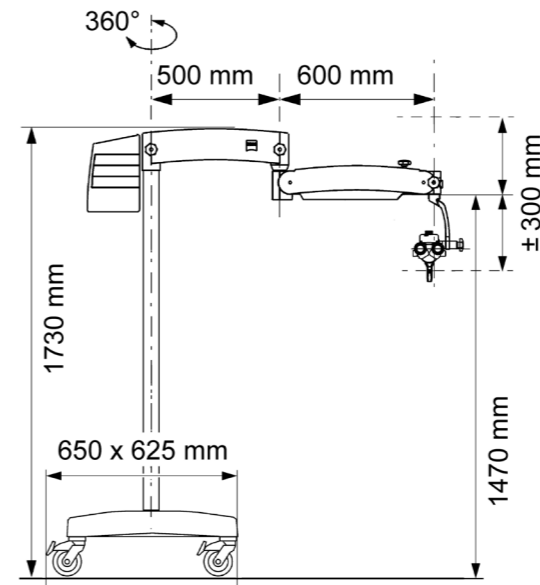
		Packages			
		Standard	Classic	Professional	Create your own
Magnification	Manual 5-step magnification changer	●	●	●	●
Eyepieces	10x push-in wide-field eyepiece	○	●	●	○
	12.5x push-in wide-field eyepiece	○	-	-	○
Tubes	Straight tube, focal length f=170 mm	○	●	●	○
	45° inclined tube	-	-	-	○
	Tilttable tube 0-180°, f=170 mm	○	-	-	○
	Foldable Tube f170/f260 with the PROMAG function delivers up to 150% magnification on the spot	-	-	-	○
Objective	Objective lens f=200 mm	○	□	-	○
	Objective lens f=250 mm	○	●	□	○
	Objective lens f=300 mm	○	-	-	○
	Objective lens f=350 mm	○	-	-	○
	Objective lens f=400 mm	○	-	-	○
	Varioskop® 100	○	-	●	○
Illumination	LED illumination	□	●	●	□
	Green filter for better contrast of tissue with high blood supply	●	●	●	●
Handgrip	T-handgrip	○	●	●	○
	Handgrips (front)	○	-	-	○
	Handgrips (back)	-	-	-	○
Mount mobility	120° coupling	○	●	●	○
	Standard coupling	○	-	-	○
Suspension	Floor stand	○	○	○	○
	Wall mount	○	○	○	○
	Ceiling mount	○	○	○	○
	Integration in treatment unit*	○	○	○	○
Asepsis	Asepsis caps	●	●	●	□
	Surgical drapes	□	□	□	□
Video	Integrated video camera (4K) with recording	□	-	●	□
	Integrated video camera (4K)	□	-	-	□
	Integrated video camera (full HD 1080p) with recording	-	-	-	□
	Integrated video camera (full HD 1080p)	-	-	-	□
Foot control panel	Rocker-switch (image and video recording)	□	-	□	□

● basic configuration ○ package options □ add-ons

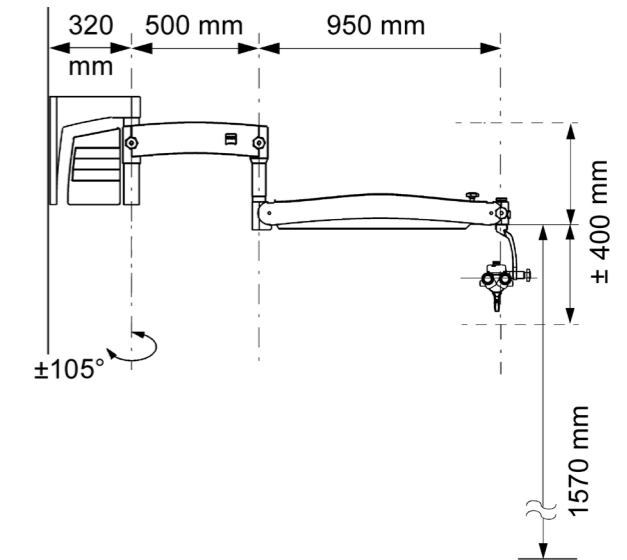
* Please contact your local treatment unit dealer for more information.

Suspension system options

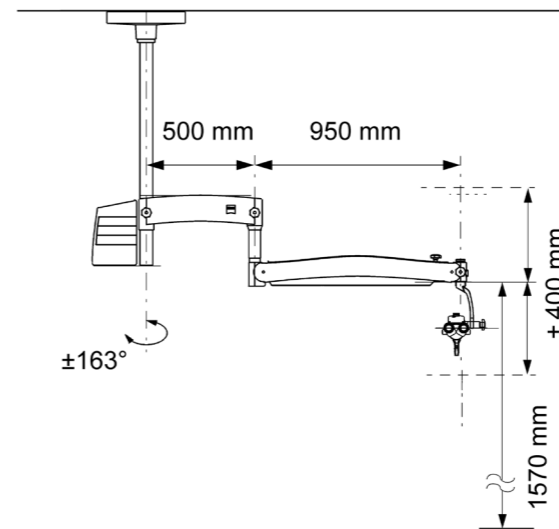
S100 floor stand



S100 wall mount



S100 ceiling mount



S100 Centro stand

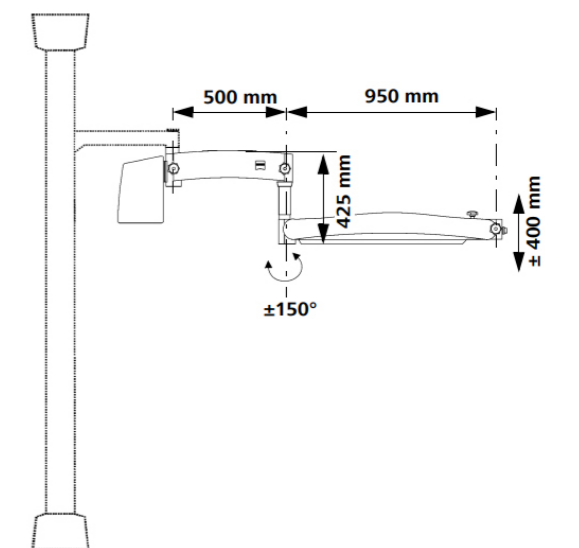


Image courtesies

Throat: Application image courtesy of International Reference and Development Centre for Surgical Technology (IRDC), Leipzig, Germany (page 3)

Tympanostomy tube: Application image courtesy of International Reference and Development Centre for Surgical Technology (IRDC), Leipzig, Germany (page 7, 10, 12, 13)

Throat LED: Application image courtesy of International Reference and Development Centre for Surgical Technology (IRDC), Leipzig, Germany (page 7)



S100 / OPMI pico



Carl Zeiss Meditec AG

Goeschwitzer Strasse 51-52

07745 Jena

Germany

www.zeiss.com/ent/pico

www.zeiss.com/med/contact