

Unleashing a new experience in phaco.



ZEISS QUATERA 700

zeiss.com/quatera700

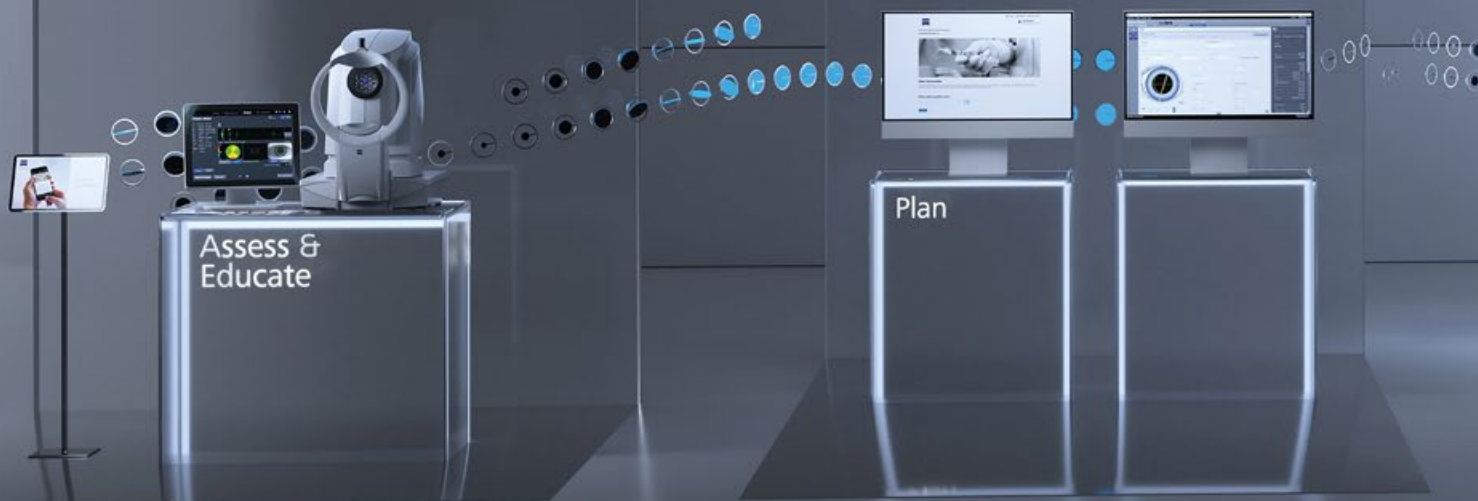


Seeing beyond

Our answer to your phaco efficiency demands.

QUATERA® 700 from ZEISS marks a milestone in cataract surgery. Its ZEISS patented QUATTRO Pump® is designed to ensure chamber stability independent of IOP and flow. The digitally integrated surgical workflow combines data from other devices in the new ZEISS Cataract Workflow, making ZEISS QUATERA 700 your single sterile cockpit for cataract procedures.

The result is a completely new experience in phaco surgery and with the connection of QUATERA 700 and CALLISTO eye, the cataract workflow is designed to achieve high levels of efficiency. From day one, you and your staff can focus on maximizing care in a highly-effective way.





Treat

Check

ZEISS patented QUATTRO Pump

Experience chamber stability independent of IOP and flow

ZEISS patented QUATTRO pump is designed to minimize surge effect with regard to length and parameter settings.

ZEISS QUATERA 700 is designed to maintain chamber stability superior over competitive device

QUATERA 700's control system when aspirating is better able to compensate for variations in leakage flow when irrigating and aspirating fluid.

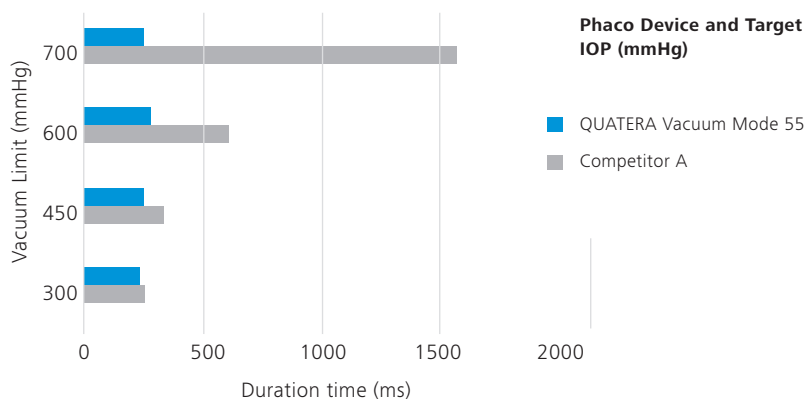
“In complicated cases, such as very dense cataracts or extremely floppy iris where I would have had to substantially decrease my surgical settings with my usual device, QUATERA enabled me to proceed with my preferred values just like in every other surgery.”

Dr. Enrique Molina Munoz,
Heidenheim, Germany



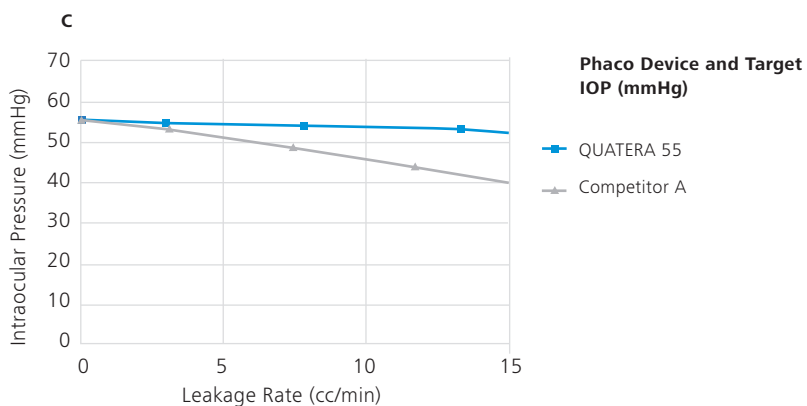
Shorter duration and higher consistency¹

QUATERA 700's surge duration times are shorter and more consistent at all levels compared to Competitor A's Vision System with Active Fluidics.



Active leakage compensation²

ZEISS QUATERA 700's control system when aspirating is better able to compensate for variations in leakage flow when irrigating and aspirating fluid. This leads to the fact, that ZEISS QUATERA 700 demonstrated better incision leakage compensation than Competitor A.



In my experience, the chamber is absolutely stable, irrespective of the type of cataract, irrespective of the situation. It ensures safety and efficiency and you can work at the highest vacuum levels and flow rates and there absolutely is no chamber instability. This is something which is very assuring and I am very confident about operating even on the toughest cases, the toughest cataracts.”

Dr. Sri Ganesh, Bangalore, India

^{1,2} The graphs were recreated using data from the study. Further graphs can be found in the study: "Experimental study comparing 2 different phacoemulsification systems with intraocular pressure control during steady-state flow and occlusion break surge events" <https://doi.org/10.1097/j.jcrs.0000000000001242>

Digitally integrated surgical workflow

ZEISS QUATERA 700 brings together all elements of the ZEISS Cataract Workflow, making it your single sterile OR cockpit.



Image courtesy rights of Prof. Dr. Peter Stalmans, UZ Leuven, Belgium



One surgical view.

With one surgical view, everyone in the OR gets the same view as the surgeon.

One sterile cockpit.

ZEISS QUATERA 700 unites all elements of the ZEISS Cataract Workflow. You no longer have to switch between multiple user interfaces and parameters or different setups.

One data access.

With the integration of patient data from IOLMaster® 700 from ZEISS and ZEISS FORUM, take advantage of paperless timeout checks and ensure that you have relevant information at hand.

Automated Ultrasound Power on Demand

Power on Demand (PoD) is an ultrasound management technology that automatically (de)activates ultrasound only when needed.

Uncompromised efficiency

Surgeons report excellent ultrasound in terms of ultrasound energy applied and followability without compromises on efficiency.

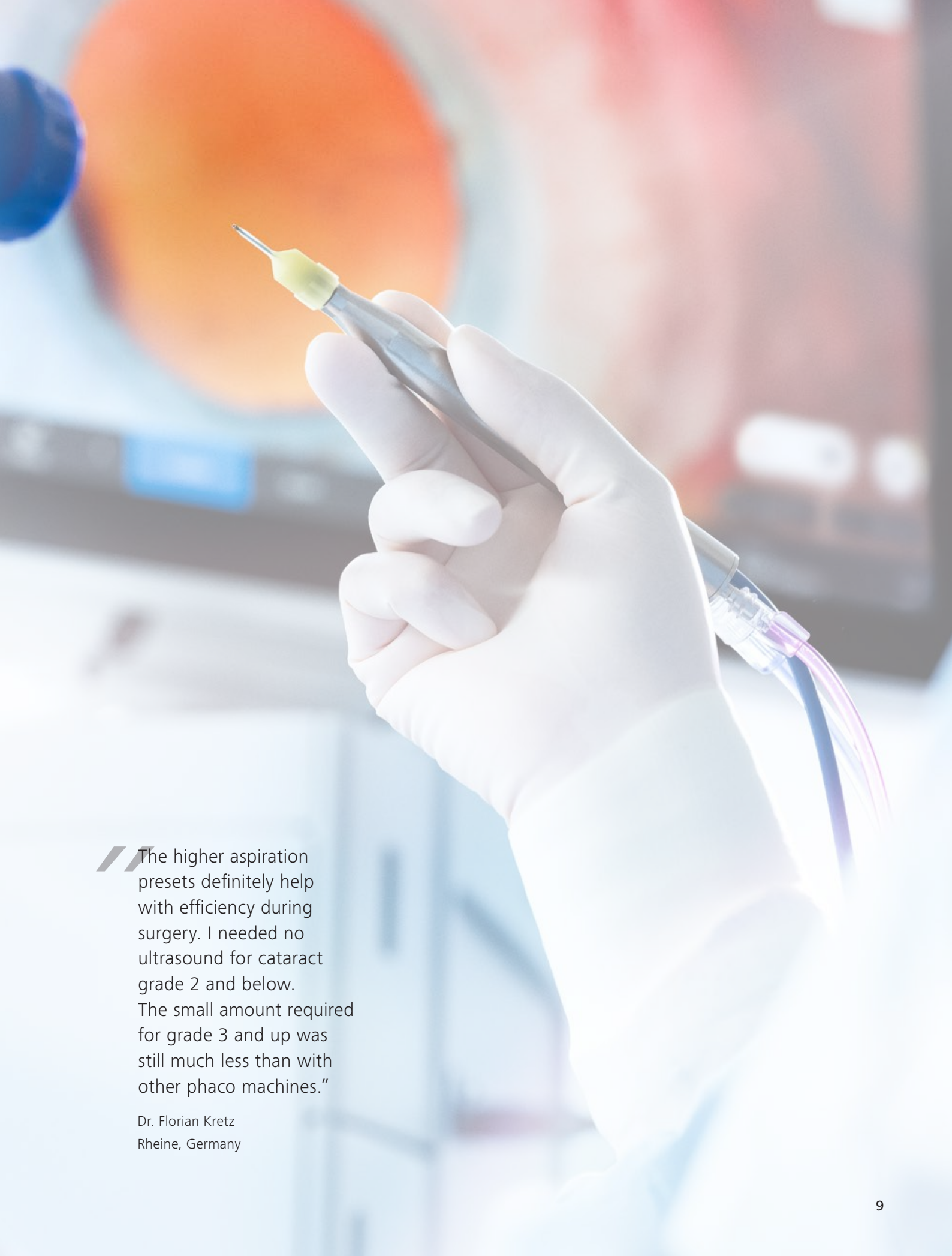
Less stressful surgical environment

The surgical workflow integration and automated ultrasound activation are designed to deliver a less stressful surgical environment.

“Using the new Power on Demand function, I noticed an immediate drop in my ultrasound usage. Overall I save about two-thirds of ultrasound and for grade 2 cataracts and below I don't require any ultrasound at all.”

Dr. Wolfram Wehner
Nuremberg, Germany

¹ QUATERA 700 with PoD activated vs. QUATERA 700 with PoD not activated



“The higher aspiration presets definitely help with efficiency during surgery. I needed no ultrasound for cataract grade 2 and below. The small amount required for grade 3 and up was still much less than with other phaco machines.”

Dr. Florian Kretz
Rheine, Germany

ZEISS OPTIKIT

Truly customizable surgical packs



Prepare for cataract surgery with OPTIKIT® from ZEISS to save time in surgical preparation and optimize your workflow.

Consumables and ZEISS products in one sterile pack

From ZEISS products and phaco accessories to other high-quality standard components, every item you choose is placed in the same sterile pack for added convenience and a more efficient surgical preparation.

Sequential packing according to your workflow

Define the order in which your selected components are placed in the ZEISS OPTIKIT, to add efficiency in your surgical preparation.

Quick and easy setup via ZEISS digital configurator

Conveniently create your customized surgical pack with your ZEISS representative via the ZEISS digital configurator. Together, choose the most suitable product combination from the extensive ZEISS portfolio.

Take full control creating a customized surgical pack that fits your needs.

Choose **ZEISS OPTIKIT customized** to receive standard components, such as knives, cannulas, drapes swabs, gowns, gloves and more. With **ZEISS OPTIKIT customized+** you can add ZEISS products and phaco accessories for ZEISS QUATERA 700 and miLOOP®¹ to the same sterile pack.

For more information visit zeiss.com/optikit

International edition: ZEISS OPTIKIT in its configurations customized and customized+ is only for sale in selected countries, not in the US. The contents of the brochure may differ from the current status of approval of the product or service offering in your country. Please contact our regional representatives for more information. Subject to changes in design and scope of delivery and due to ongoing technical development.

¹ ZEISS miLOOP is currently packed separately, outside the sterile ZEISS OPTIKIT packaging.

Technical data

Aspiration

Type of aspiration pump	QUATTRO Pump®
Aspiration control mode	Vacuum control mode, flow control mode
Vacuum range	0 to 700 mmHg Note that the maximum available vacuum pressure might be limited by the environmental pressure.
Flow rate range	0 to 120 cc/min

Infusion

Type of infusion	Quattro controlled, forced infusion
IOP range	30 - 120 mmHg

Phacoemulsification

Type of handpiece	Piezoelectrical
Frequency	40 kHz (+4.5 kHz/-0.5 kHz)
U/S operation modes	Continuous, pulse, single burst, multi burst, continuous burst, APM

Diathermy

Type	Bipolar generator - generator stops when no HF power is required
Type of handpiece	Handpieces for bipolar diathermy, e.g. diathermy forceps, diathermy pencil eraser
Control mode	Fixed or "Linear" mode by pressing the foot pedal.

Vitrectomy

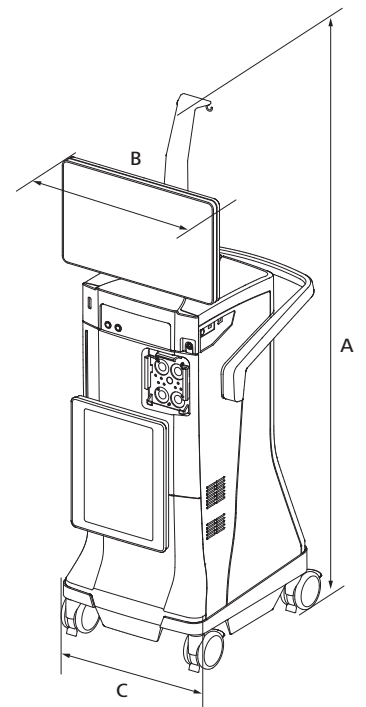
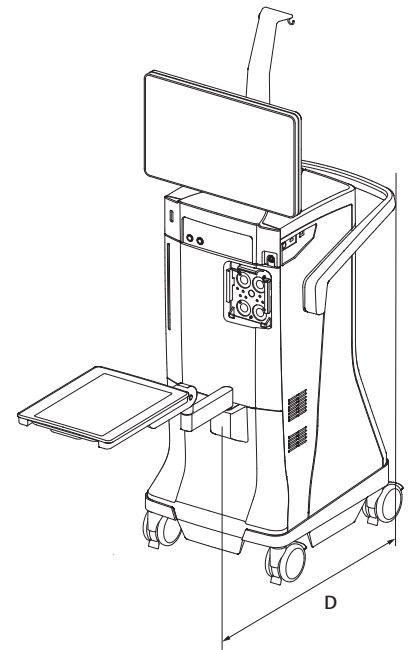
Type of handpiece	23G Anterior Vit Cutter, pneumatic cutting device with guillotine function (back-and-forth)
Actuation medium	Compressed air from internal source
Cutting rate range anterior vitrectomy	30 - 5000 cuts/min (\pm 20 %)

Dimensions and weight

Height	1835 mm
Width	556 mm
Depth	758 mm
Tray arm length (from tray front to console)	875 mm
Weight	160 kg

Electrical data

Rated voltage	100 V - 240 V AC (\pm 10%)
Rated frequency	50 Hz - 60 HZ
Power consumption	1200 VA





RESIGHT 700
CALLISTO eye Panel PC



0297
QUATERA 700
CALLISTO eye Software



Carl Zeiss Meditec AG
Goeschwitzer Strasse 51–52
07745 Jena
Germany
www.zeiss.com/quatera700
www.zeiss.com/med/contacts

en-INT_32_010_04001V CZ-III/2024 International edition: Only for sale in selected countries.

The contents of the brochure may differ from the current status of approval of the product or service offering in your country. Please contact our regional representatives for more information.
Subject to changes in design and scope of delivery and due to ongoing technical development: QUATERA, CALLISTO eye, OPTIKIT, QUATTRO Pump and miLoop are either trademarks or registered trademarks of Carl Zeiss Meditec AG or other companies of the ZEISS Group in Germany and/or other countries.
© Carl Zeiss Meditec AG, 2024. All rights reserved.

The statements of the doctors reflect only their personal opinions and experiences and do not necessarily reflect the opinion of any institution that they are affiliated with. The doctors alone are responsible for the content of their experience reported and any potential resulting infringements. Carl Zeiss Meditec AG and its affiliates do not have clinical evidence supporting the opinions and statements of the doctors nor accept any responsibility or liability of the doctors' content.