



ZEISS ARTEVO 850

Technical Specifications



Seeing beyond

ZEISS ARTEVO® 850

| | |
|----------------------------|---|
| Visualization | 4K HDR 55" 3D monitor 2x 3-Chip 4K Cameras Digital and hybrid mode AdVision® augmented overlays: cataract assistance functions, phaco values (ZEISS QUATERA 700), OCT optionally |
| Surgical microscope | Smart DoF and DeepView to adjust depth of field Digital Color Assistant (DCA): preset bluish color codings and custom Magnification 3.5x - 21x (with objective lens f=200 and eyepiece 10x), additional 1.3x digital zoom with optional Digital Image Boost Focus range: 70mm; FastFocus available Integrated electronic assistant scope (option) Integrated keratoscope ring (option) |
| Illumination | Stereo Coaxial Illumination (SCI) RGB LED (adjustable light color temperature 3000K-6000K) or Xenon Superlux Eye Optional filters available |
| Slit illumination | Integrated slit illuminator Slit widths: 0.2 mm, 2 mm, 3 mm, 4 mm Slit height: 12 mm Second light source option for motorized external slit illuminator VISULUX |

ZEISS Intraoperative OCT

| | |
|------------------------|--|
| Scan parameters | A-Scan depth: 2.9 and 5.8 mm in tissue Scan length adjustable 3 – 16 mm Different scan modes for live and capture acquisition Scan-location or side-aligned B-scans Scale indicator Automatic noise reduction on/off AutoZ Z tracking and XY tracking |
|------------------------|--|

ZEISS RESIGHT family

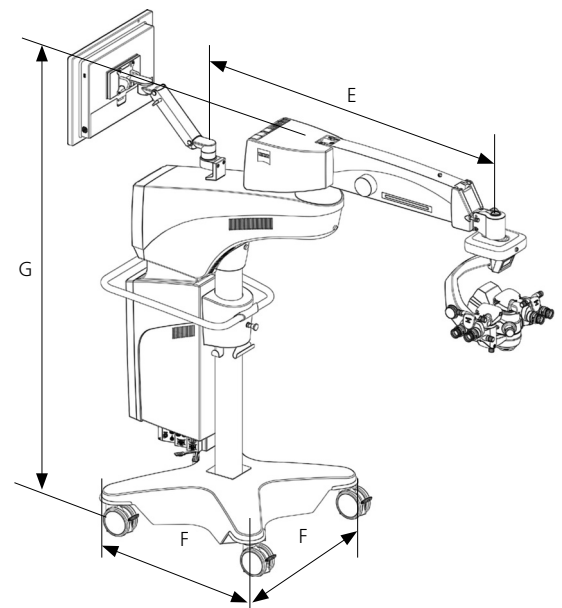
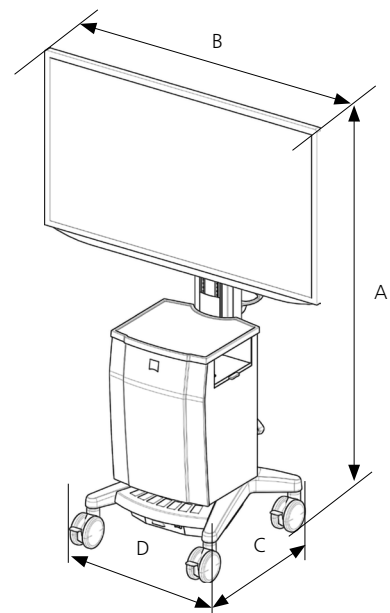
| | |
|-------------------------------|--|
| Fundus viewing systems | ZEISS RESIGHT 700 AutoAdjust® for automatic anterior/posterior profile switching |
| Lenses available | 60D and 128D (reusable) MACULA LENS, WIDE-ANGLE LENS, ULTRA WIDE-ANGLE LENS (single-use) |

ZEISS CALLISTO eye

| | |
|------------------|--|
| Software | Version 5.1 |
| Hardware | Panel PC III |
| Recording | Integrated high quality MPEG 1080p 60/50 fps video recording, including AdVision overlays Optional 3D video recording |

Measurements

| | |
|-------------------|--|
| Monitor | Total height (A) 1821 mm Monitor width (B) 1250 mm Monitor cart length (C) 721 mm Monitor cart width (D) 621 mm |
| Microscope | Swivel arm length (E) 1343 mm Microscope footprint (F) 805 mm Total height (G) 1880 mm |





ARTEVO 750/850
RESIGHT 700
CALLISTO eye Panel PC



RESCAN 700
CALLISTO eye Software



Carl Zeiss Meditec AG
Goeschwitzer Strasse 51–52
07745 Jena
Germany
www.zeiss.com/med/contacts