

Perfecting your art.



ZEISS EXTARO 300



zeiss.com/dentistry/extaro-300

Seeing beyond



EXTARO® 300 from ZEISS is poised to revolutionize and differentiate your practice. At ZEISS we know the challenges you face when you are aiming for the highest levels of performance and results – both functionally and aesthetically. For that, we design the tool that enhance your journey to perfecting your art.

Built to meet your ambitions and go beyond magnification, **ZEISS EXTARO 300** offers:

- Digital Patient Communication
- Augmented Visualization
- Ergonomic Operation

Digital Patient Communication

Benefit from a digital workflow

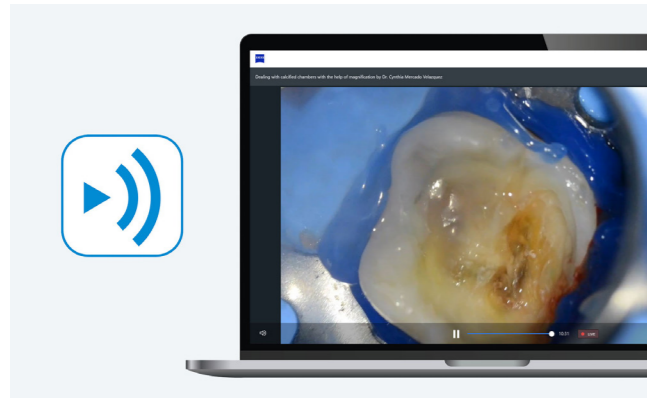
Patient retention and case acceptance are two primary goals for every dentist. Actively involving the patient in their treatment plan supports that, as it creates trust and confidence, strengthening the relationship between patient and dentist.

EXTARO® 300 from ZEISS revolutionizes patient communication and optimizes your data management, thanks to the wireless connection between ZEISS EXTARO 300 and the digital solutions, that are designed to optimize your performance and workflow.



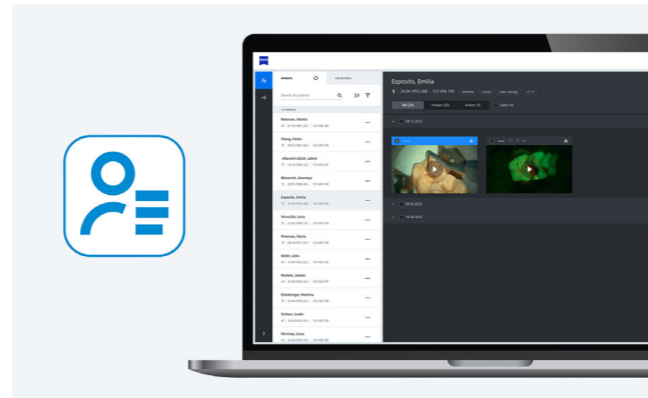
Get connected with the digital solutions from ZEISS

ZEISS offers various iOS- and web-based apps to support your usage of ZEISS EXTARO 300: from digital patient communication over an efficient documentation workflow to professional peer collaboration. The ZEISS Connect app is essential for utilizing the ZEISS Surgical Cloud and ZEISS Livestream.



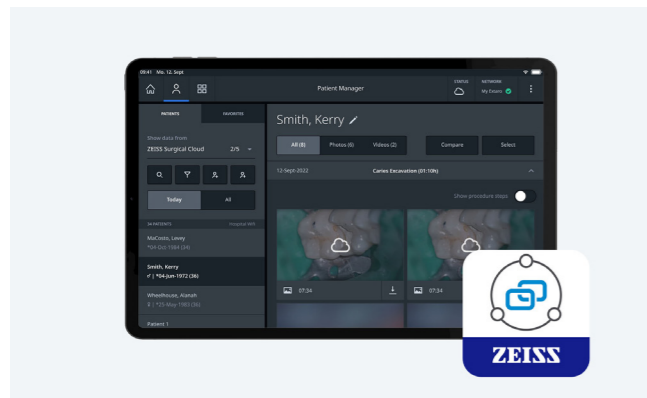
ZEISS Livestream

Easily schedule live streamings of your treatments and invite participants in advance. Stream your treatment so that students and peers can follow along. Share your knowledge more efficiently and professionally.



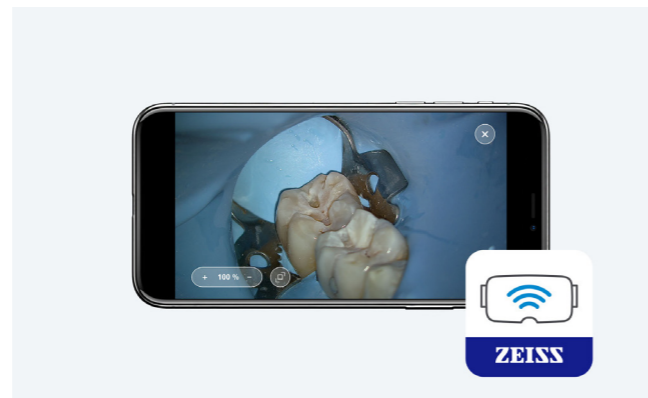
ZEISS Surgical Cloud

Synchronize and manage recorded images and videos from your ZEISS EXTARO 300. Share the data with your peers to enhance professional collaboration.



ZEISS Connect

Integrate ZEISS EXTARO 300 into your existing office infrastructure via iPad to document your treatments, manage your patient data and educate patients on their treatment plan.

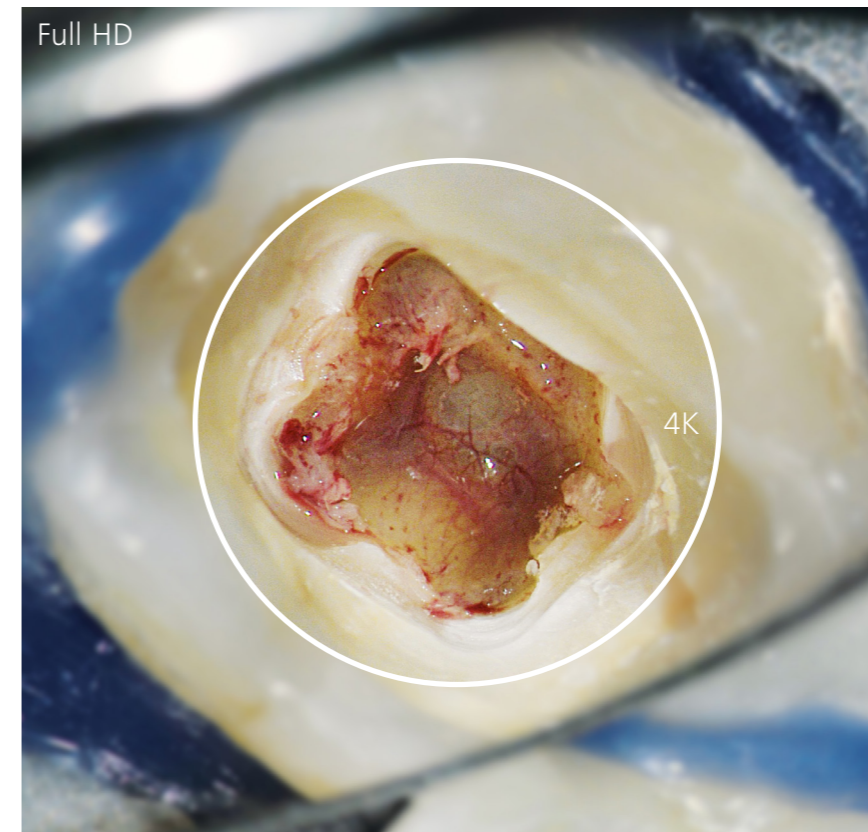


ZEISS Observe

Stream treatments via iPhone in real time to students and guests. For an immersive virtual reality experience in 3D any VR headset can be used.



Sharper imaging, greater precision with the built-in 4K camera



Utilize the integrated camera to take high-quality photos and videos, to engage with your patients. Clearer and more detailed visuals support precise treatment and patient communication.

The built-in 4K camera delivers crystal clear imaging, that allows you to see and share the treatment procedures with the patient, enhancing assurance about treatment outcomes.

Augmented Visualization

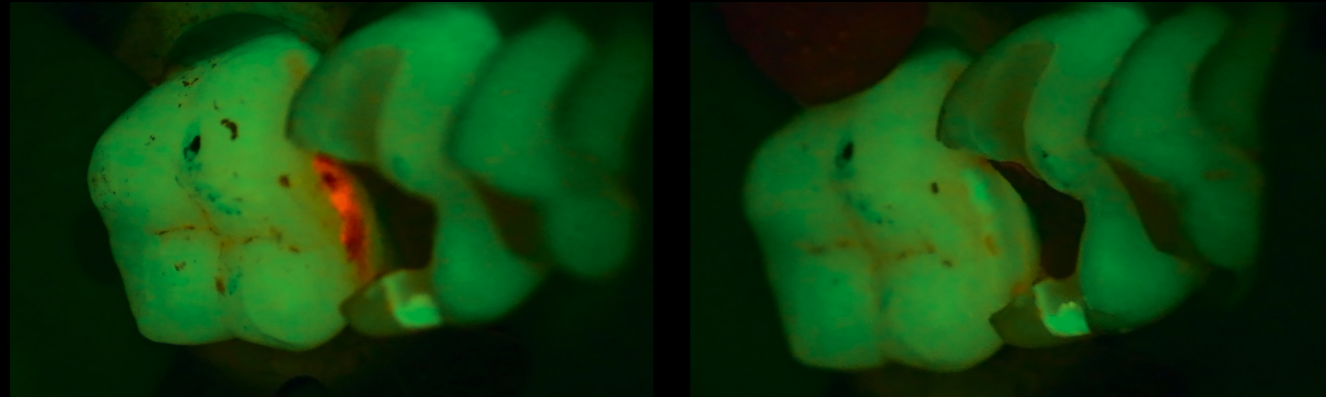
Treat without distractions

You can only treat what you can see. Working in tough conditions requires proper visualization, which has become an essential part of each dentist's daily practice.

ZEISS EXTARO 300 provides breakthrough visualization modes that introduce new applications to microdentistry. From more effective caries detection to a simpler tooth restoration workflow, ZEISS EXTARO 300 is poised to revolutionize and differentiate your practice.



Visualize beyond with a ZEISS dental microscope



Fluorescence Mode before treatment.

Fluorescence Mode after treatment.

The **Fluorescence Mode** in ZEISS EXTARO 300 helps you to **identify caries** margins to allow preservation of as much healthy tooth substance as possible. As the first device combining caries detection technology¹ with optical magnification, the Fluorescence Mode in ZEISS EXTARO 300 supports detection of carious tooth substances.

Identification of suspected carious tissue / lesions under microscope visualization saves precious time.



Fluorescence Mode activated.

Magnified view.

The **Fluorescence Mode** in ZEISS EXTARO 300 also supports you in distinguishing natural hard tooth tissue from the most widely used dental composite resin². Using this clear visual differentiation of tooth material will help you to target the affected area quickly, saving you valuable chair time during treatment.

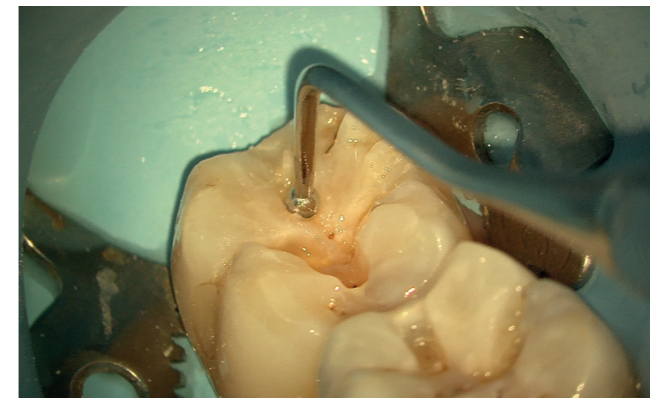


NoGlare Mode activated.



Without NoGlare Mode.

The **NoGlare Mode** in ZEISS EXTARO 300 visualizes fine but relevant details, such as slight color variations, supporting you to precisely analyze the color shades of a tooth. With the cross-polarized and natural light illumination, tooth restoration can be performed **without distracting reflections**.



Modelling of composite using the TrueLight Mode.



Magnified view without the TrueLight Mode.

Similar to the existing Orange Color Mode, the **TrueLight Mode³** in ZEISS EXTARO 300 **avoids premature polymerization** of widely-used, contemporary light curing composites under the microscope, giving you more time to finish complex modeling tasks. Work relaxed and without time pressure and identify relevant dental tissues in a more natural, white-light setting thanks to the optimized color balance.

Ergonomic Operation

Experience an uninterrupted workflow

Musculoskeletal disorders, due to awkward positioning and poor posture have long been considered an occupational hazard in dentistry. Maintaining your preferred ergonomic posture during dental treatments is crucial for career longevity.

The ZEISS EXTARO 300 allows you to reach the multifunctional Mode Control to activate all visualization and capture modes as well as the light settings with only one finger. Adjusting the focus can be done from the same hand position without compromising the ergonomic working posture. The foot control panel lets you effortlessly document your treatments while staying focused on complex procedures.





Single-Handed Operation for an uninterrupted workflow



Activating the Visualization and Capture Modes and light settings

Activate all the Visualization Modes to augment your vision and introduce new applications to microdentistry. Use the Capture Mode to record videos and images for documentation purposes and to educate your patients. This helps them make an informed decision and value your expertise.

Control all light settings to adjust the brightness as well as the motorized SpotLight diameter for a focused treatment. Your patient and assistant will not be bothered by unnecessary light when using a long working distance.



Operating the Varioskop 230

Use the Varioskop® 230 to adjust the focal length to focus on the whole oral cavity and on minute details in the vertical axis with a variable working distance of 200 – 430 mm.



Foot control panel

The foot control panel lets you effortlessly document your treatments while staying focused on complex procedures. It allows you to capture images or start recordings without leaving your working position.

Reduce back and neck pain with a ZEISS dental microscope



Musculoskeletal disorders (MSDs) have long been considered an occupational hazard in dentistry, that can lead to chronic fatigue and pain, most commonly neck and back pain. They are also associated with lower productivity and early retirement – 7.5% of all dentists stop working before their retirement age for health reasons⁴.

This can all be solved with an ergonomically designed dental microscope. A microscope allows you to sit upright and adopt a neutral posture, decreasing pain and stress on your body. Over 75% of dentists found that using a dental microscope had a positive effect on their neck and back pain⁵. Working in a comfortable posture allows you to fully focus on your patient and their procedure and increases your productivity.

A dental microscope can offer other ergonomic benefits, such as improved vision and reduced eye fatigue, common in dental professionals and corresponding to increasing age.

[Learn more about ergonomic challenges in dentistry.](#)



zeiss.ly/ergonomic-challenges

Technical data EXTARO 300 from ZEISS

		Packages			
		Flex	Classic Plus	Premium	
Magnification system	Manual 5-step apochromatic magnification changer	●	●	●	
Eyepieces	12.5x widefield eyepieces	without reticle	●	●	
		with reticle	○	○	
	10x widefield eyepieces	without reticle	○	○	
		with reticle	○	○	
Tube	180° tiltable tube	●	●	●	
Focus	Varioskop 230, working distance 200–430 mm	●	●	●	
Illumination system	TriLED, 5500 K	●	●	●	
	LightBoost – Xenon equivalent light intensities ⁶	○	●	●	
	Orange Color Mode	●	●	●	
	Green Color Mode	●	●	●	
Augmented Visualization	Upgradable kit (mandatory for Augmented Visualization Modes)	○	●	●	
	Fluorescence Mode	○	○	○	
	TrueLight Mode	○	○	○	
	NoGlare Mode	○	○	○	
User interface	Ergonomic handgrip	●	●	●	
	Mode Control	●	●	●	
	Single finger adjustable illumination, focus and SpotLight (motorized aperture control)	●	●	●	
	Foot Control Panel	○	□	○	
Communication	Essential: Integrated camera with recording on USB; HDMI output; choose between HD or 4K resolution	○	□	–	
	Complete: Integrated 4K camera with recording on USB or wireless recording to the ZEISS Connect App; network integration available for archiving purposes; HDMI output	○	□	●	
	Web-based apps	ZEISS Surgical Cloud – synchronize recorded images and videos	□	□	□
		ZEISS Livestream – educate and present remotely	□	□	□
	DICOM	○	□	○	
Adapter for digital cameras (Full-frame or APS-C)	○	○	○		
Ergonomics	Foldable Tube f170/f260 including the PROMAG function boosts to 150% magnification for a detailed view	○	○	○	
	MORA Interface – remain in an upright position regardless of the angle of view:	with documentation port	○	●	○
		without documentation port	○	–	●
Straight coupling (compatible with all suspension systems in combination with MORA Interface)	○	○	○		
Asepsis	Asepsis Starter Kit	○	○	○	
	Drape Starter Kit	○	○	○	
Suspension system	Floor stand	●	●	●	
	Floor mount	○	○	○	
	Ceiling mount	○	○	○	
	Wall mount	○	○	○	
	Treatment unit integration	○	○	○	

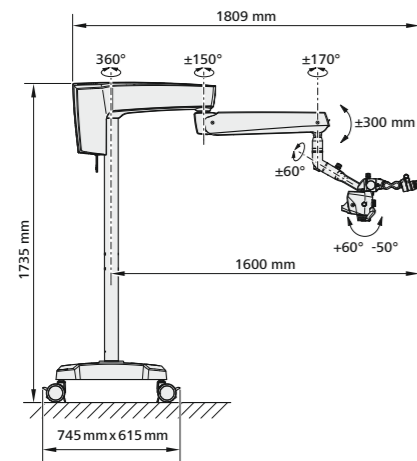
● Basic configuration ○ Package options □ Add-ons from upgrades

Technical data

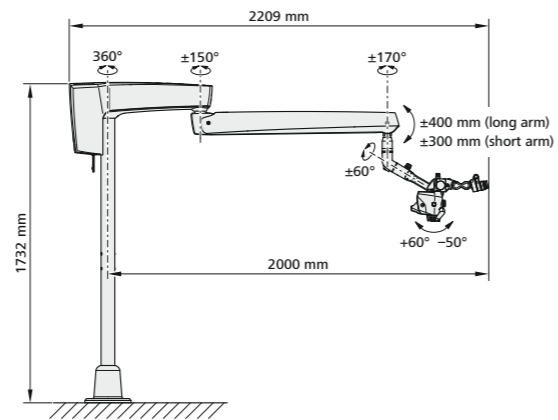
EXTARO 300 from ZEISS

Suspension system options⁷

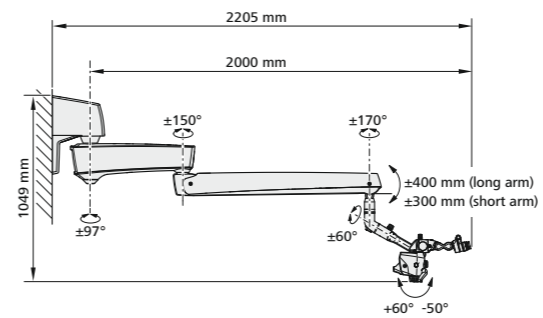
Floor stand with short suspension arm, MORA Interface and Foldable Tube f170/f260



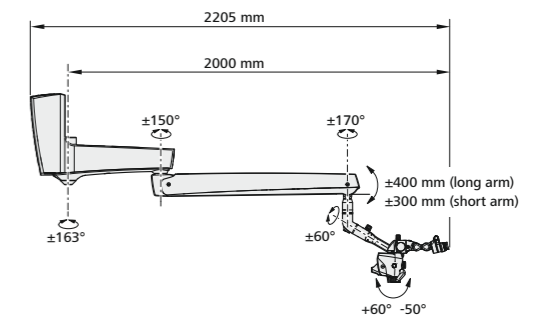
Floor mount with long suspension arm, with MORA Interface and Foldable Tube f170/f260 (see drawing); also available with short suspension arm



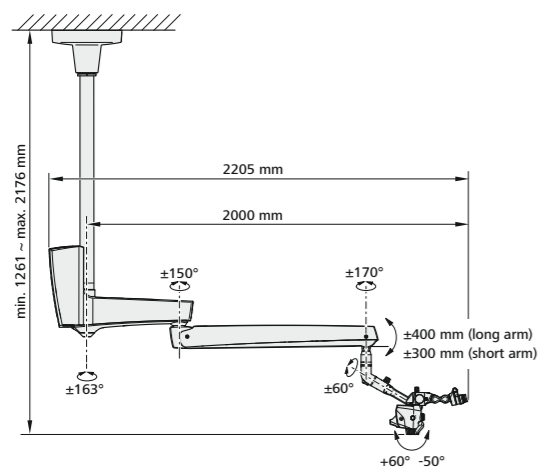
Wall mount with long suspension arm, with MORA Interface and Foldable Tube f170/f260 (see drawing); also available with short suspension arm



Treatment unit integration with long suspension arm, with MORA Interface and Foldable Tube f170/260 (see drawing); also available with short suspension arm



Ceiling mount with long suspension arm, with MORA Interface and Foldable Tube f170/f260 (see drawing); also available with short suspension arm



iPad® and iPhone® are trademarks of Apple Inc., registered in the U.S. and other countries.

Images courtesy of Dr. Tomas Lang, Essen, Germany (Page 10, above)
Images courtesy of Dr. Tom Schloss, Nuremberg, Germany (Page 10, below)
Images courtesy of Oscar Freiherr von Stetten, Stuttgart, Germany (Page 11, above)

- ¹ Jahrbuch der Endodontie 2017, Marktübersicht Mikroskope, OEMUS Verlag
- ² For specifications see user manual
- ³ For specifications see user manual
- ⁴ Neddermeyer W. Aus der Praxis für die Praxis. Ein besonderes Behandlungskonzept. In Zahnärztliche Mitteilungen (August 2011). Berlin
- ⁵ Zaugg B et al. Influence of magnification tools on the recognition of artificial preparation and restoration defects (in German). Schweiz Monatsschr Zahnmed 2004;114:890-896. [Abstract]
- ⁶ Carl Zeiss Meditec AG internal data on file, not published.
- ⁷ Treatment unit integration option also available. All data is measured internally with possible deviation due to different measuring method or tool. For specifications see user manual.



EXTARO 300



**Carl Zeiss Meditec (Suzhou)
Co., Ltd.**
4F, No.26 Wu Sheng Road, SIP
215126 Suzhou
China
www.zeiss.com/med/contacts



Carl Zeiss Meditec AG
Goeschwitzer Strasse 51–52
07745 Jena
Germany
www.zeiss.com/med/contacts



ZEISS Connect



**Legal manufacturer of
ZEISS Connect
ZEISS Surgical Cloud
ZEISS Livestream
Carl Zeiss Meditec AG**
Goeschwitzer Strasse 51–52
07745 Jena
Germany
www.zeiss.com/med/contacts



**Physical manufacturer of
ZEISS Connect
ZEISS Surgical Cloud
ZEISS Livestream
Carl Zeiss India (Bangalore) Pvt. Ltd.**
CARIn Division
Plot No.3, Jigani Link Road
Bommasandra Industrial Area
Bangalore 560 099
India

en-INT_30_010_0300XIV CZ-VI/2026 International edition: Only for sale in selected countries.
The contents of the brochure may differ from the current status of approval of the product, functions, or service offering in your country. ZEISS Surgical Cloud and ZEISS Livestream are intended for educational purposes only and are not intended to diagnose or treat any diseases. Please contact our regional representatives for more information.
Subject to changes in design and scope of delivery and due to ongoing technical development. EXTARO and Varioskop are either trademarks or registered trademarks of Carl Zeiss Meditec AG or other companies of the ZEISS Group in Germany and/or other countries.
© Carl Zeiss Meditec AG, 2026. All rights reserved.