

Perfecting your art.



ZEISS EXTARO 300



zeiss.com/dentistry/extaro-300

Seeing beyond

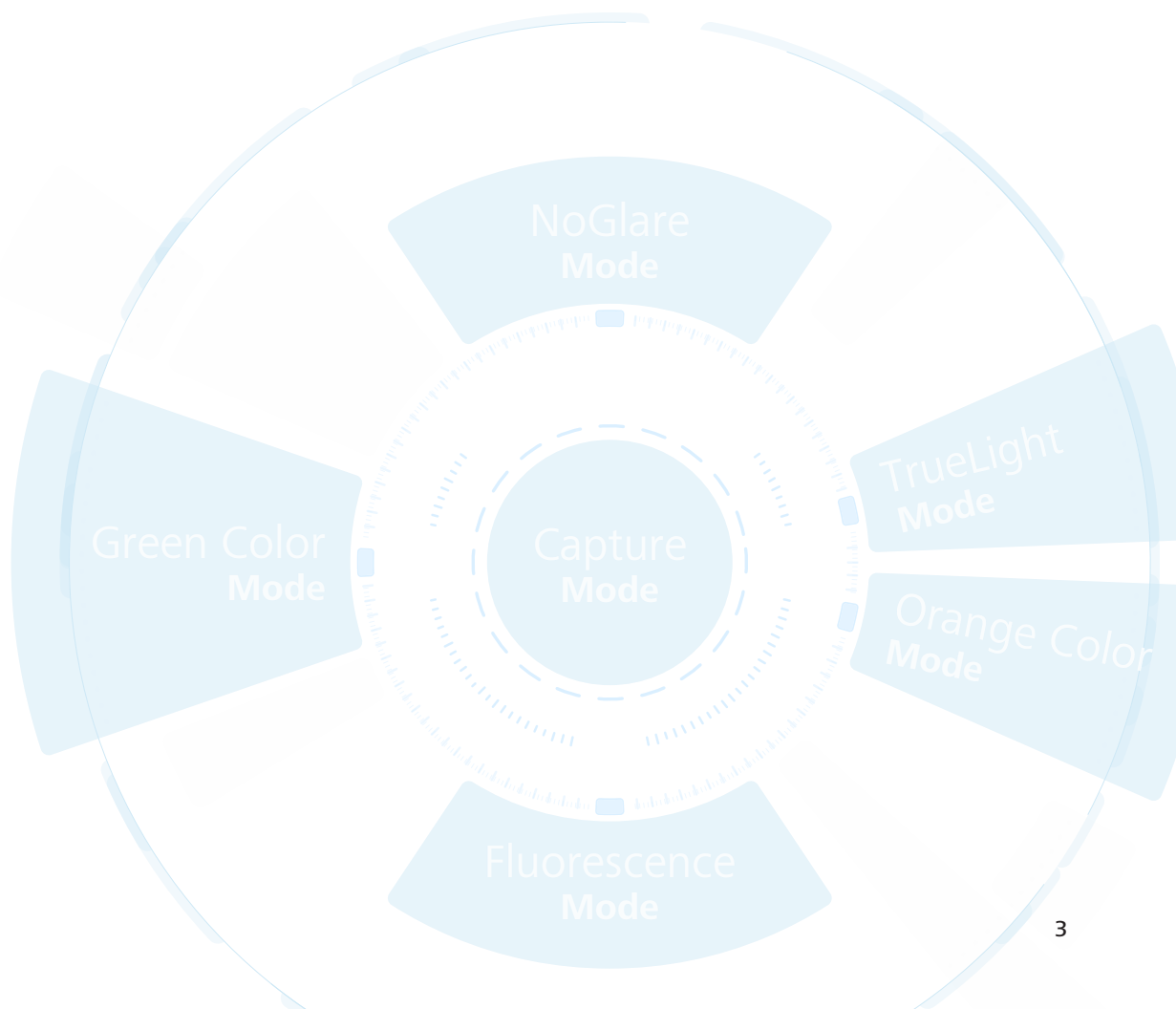


ZEISS EXTARO 300

Visualize beyond

Are you constantly looking for ways to elevate and differentiate your practice from mainstream dental providers? At ZEISS we know the challenges you face when you are aiming for the highest levels of performance and results – both functionally and aesthetically.

EXTARO® 300 from ZEISS provides breakthrough visualization modes that introduce new applications to microdentistry. From more efficient caries detection to a simpler tooth restoration workflow, ZEISS EXTARO 300 is poised to revolutionize and differentiate your practice.





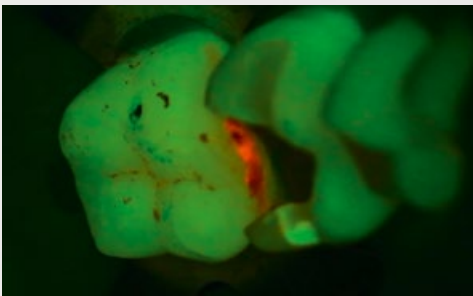
The Mode Control allows activation of all visual modes on one interface.

Augmented Visualization

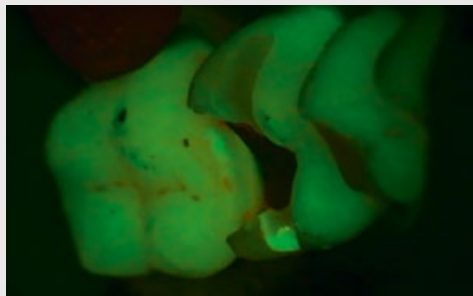
Repair caries-infected fillings efficiently

The **Fluorescence Mode** in ZEISS EXTARO 300 helps you to identify caries margins to allow preservation of as much healthy tooth substance as possible. As the first device combining caries detection technology¹ with optical magnification, the Fluorescence Mode in ZEISS EXTARO 300 supports detection of carious tooth substances.

Identification of suspected carious tissue/lesions under microscope visualization saves precious time.



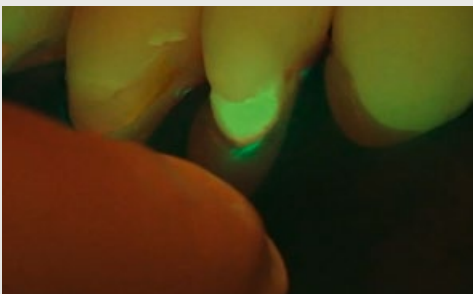
Fluorescence Mode before treatment.



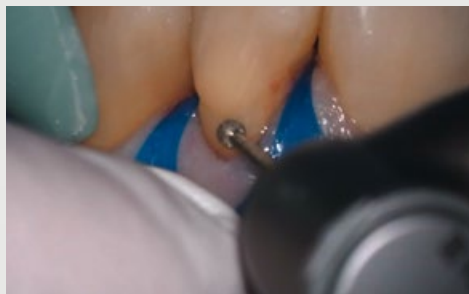
Fluorescence Mode after treatment.

Differentiate tooth material

The **Fluorescence Mode** in ZEISS EXTARO 300 also supports you in distinguishing natural hard tooth tissue from the most widely used dental composite resin². Using this clear visual differentiation will help you to target the affected area quickly, saving you valuable chair time during treatment.



Fluorescence Mode



Magnified view

Augmented Visualization

Treat without distractions

Analyze and restore teeth without distracting reflections.

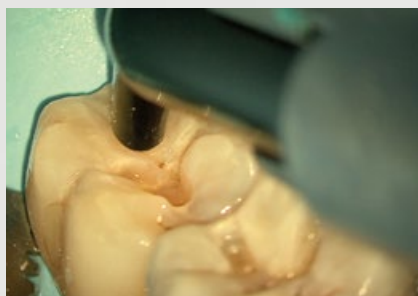
As the first device to combine polarized illumination with magnification³, the [NoGlare Mode](#) in ZEISS EXTARO 300 supports you to precisely analyze the color shades of a tooth. The cross-polarization capability visualizes fine, but relevant details such as color nuances. It effectively suppresses obtrusive light reflections from the tooth surface.

Prevent premature composite curing while working in a more natural light environment.

Similar to the existing Orange Color Mode, the [TrueLight Mode](#)⁴ in ZEISS EXTARO 300 does not cause premature polymerization of widely-used, contemporary light curing composites under the microscope, giving you more time to finish complex modeling tasks. The optimized color balance of the TrueLight Mode now allows you to identify relevant dental tissues in a more natural white-light setting.



Magnified view



Filling composite using the TrueLight Mode



Modeling of composite using the TrueLight Mode



Single-Handed Operation

Experience an uninterrupted workflow

With only one finger, you can reach the multifunctional **Mode Control** to activate all visualization and capture modes as well as the light settings. From the same hand position, you can adjust the focus without leaving your preferred ergonomic working position.



Activating the Visualization and Capture Modes and light settings

One finger suffices

Activate all the **Visualization Modes** described before to augment your vision and introduce new applications to microdentistry.

Use the **Capture Mode** to record videos and images for documentation purposes and to educate your patients. This helps them make an informed decision and value your expertise.



Operating the Varioskop 230

Use the **Varioskop® 230** to adjust the focal length to focus on the whole oral cavity and on minute details in the vertical axis.

Control all light settings to adjust the brightness as well as the motorized **SpotLight** diameter for a focused treatment. Your patient and assistant will not be bothered by unnecessary light while using a long working distance.



Varioskop 230
operation

Variable working
distance of
200 – 430 mm

Digital Patient Communication

Benefit from a digital workflow

The integrated HD camera of ZEISS EXTARO 300 records wirelessly to the [ZEISS Connect App](#), from where images and videos can be directly transferred to your local network.

Easily educate your patients and show them the value of your work.

ZEISS EXTARO 300 innovates patient interaction. With the [ZEISS Connect App](#), you can show images of past and current patient conditions and highlight areas requiring treatment, enabling your patients to make informed decisions.





Apps

ZEISS offers various iOS- and web-based apps to support you from digital patient communication over efficient documentation workflow to professional peer collaboration.

iOS-based apps

Connect iPad to ZEISS EXTARO 300

ZEISS Connect manages your treatment data efficiently with dedicated functionalities to integrate the ZEISS EXTARO 300 into your existing office infrastructure.



Stream in real time on an iPhone

With ZEISS Observe, students and guests can easily follow the treatment without advanced equipment. For a 3D immersive VR experience any VR headset can be used.



Web-based apps

Efficiently manage your data and peer collaboration.

ZEISS Surgical Cloud directly synchronizes recorded images and videos including patient and treatment information with your ZEISS EXTARO 300 and allows you to manage them easily. It supports you to enhance your professional collaboration and extend your network by remote sharing of large files and knowledge with your peers.



Educate and present in real time to a bigger audience.

ZEISS Livestream allows you to schedule a live surgery or treatment and send out invitation links to participants in advance. On the day of the live event, your participants can watch the procedure via the secure web link in just a few clicks.



Technical data

EXTARO 300 from ZEISS

		Packages			
		Essential	Classic Plus	Premium Dental	
Magnification system	Manual 5-step apochromatic magnification changer	●	●	●	
Eyepieces	12.5x widefield eyepieces	without reticle	●	●	
		with reticle	□	□	
	10x widefield eyepieces	without reticle	□	□	
		with reticle	□	□	
Tube	180° tiltable tube	●	●	●	
Focus	Varioskop 230, working distance 200–430 mm	●	●	●	
Illumination system	TriLED, 5500 K	●	●	●	
	LightBoost – Xenon equivalent light intensities ⁵	○	●	●	
	Orange Color Mode	●	●	●	
	Green Color Mode	●	●	●	
Augmented Visualization	Upgradable kit (mandatory for Augmented Visualization Modes)	□	●	●	
	Fluorescence Mode	□	○	○	
	TrueLight Mode	□	○	○	
	NoGlare Mode	□	○	○	
User interface	Ergonomic handgrip	●	●	●	
	Mode Control	●	●	●	
	Single finger adjustable illumination, focus and SpotLight (motorized aperture control)	●	●	●	
Communication	Essential: Integrated HD camera with recording on USB; HDMI output	●	□	–	
	Complete: Integrated HD camera with recording on USB or wireless recording to the ZEISS Connect App; network integration available for archiving purposes; HDMI output	○	□	●	
	Web-based apps	ZEISS Surgical Cloud – synchronize recorded images and videos	–	–	□
		ZEISS Livestream – educate and present remotely	–	–	□
	DICOM	○	□	○	
	Adapter for digital cameras (Full-frame or APS-C)	□	○	□	
Ergonomics	Foldable Tube f170/f260 including the PROMAG function boosts to 150 % magnification for a detailed view	○	○	○	
	MORA Interface – remain in an upright position regardless of the angle of view:	with documentation port	□	●	□
		without documentation port	□	□	●
Straight coupling (compatible with all suspension systems)	□	○	○		
Asepsis	Asepsis Starter Kit with high quality splash protection for the objective lens and resterilizable covers for Varioskop, Mode Control, magnification changer and PD adjustment	○	○	○	
	Drape Starter Kit	○	○	○	
Suspension system	Floor stand	●	●	●	
	Floor mount	○	○	○	
	Ceiling mount	○	○	○	
	Wall mount	○	○	○	
	Treatment unit integration	○	○	○	

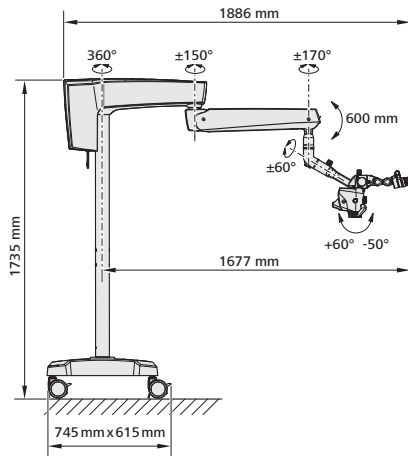
● Basic configuration ○ Package options □ Add-ons

Technical data

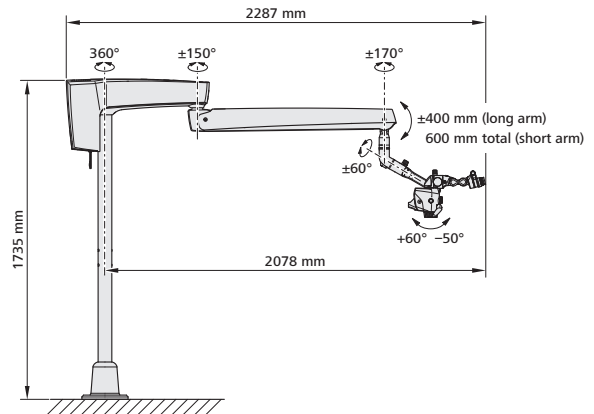
EXTARO 300 from ZEISS

Suspension system options⁶

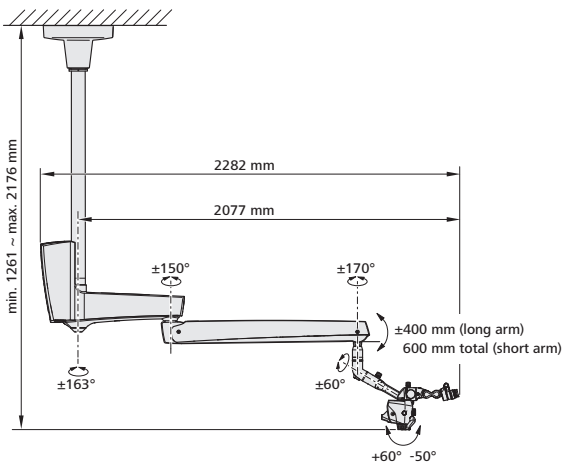
Floor stand with short suspension arm, MORA Interface and Foldable Tube f170/f260



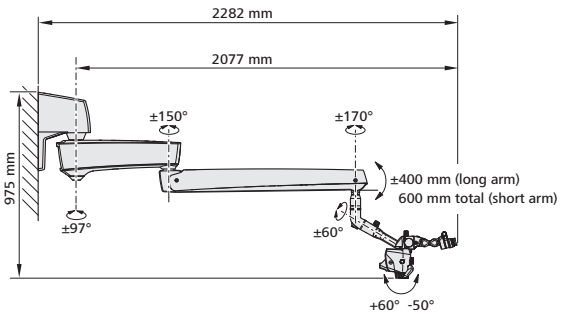
Floor mount with long suspension arm, with MORA Interface and Foldable Tube f170/f260 (see drawing); also available with short suspension arm



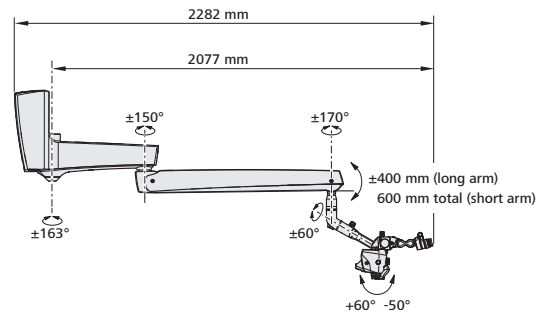
Ceiling mount with long suspension arm, with MORA Interface and Foldable Tube f170/f260 (see drawing); also available with short suspension arm



Wall mount with long suspension arm, with MORA Interface and Foldable Tube f170/f260 (see drawing); also available with short suspension arm



Treatment unit integration with long suspension arm, with MORA Interface and Foldable Tube f170/260 (see drawing); also available with short suspension arm



iPad® and iPhone® are trademarks of Apple Inc., registered in the U.S. and other countries.

Images courtesy of Dr. Tomas Lang, Essen, Germany (Page 5, above)

Images courtesy of Dr. Tom Schloss, Nuremberg, Germany (Page 5, below)

Images courtesy of Oscar Freiherr von Stetten, Stuttgart, Germany (Page 6)

^{1,3} Jahrbuch der Endodontie 2017, Marktübersicht Mikroskope, OEMUS Verlag

² For specifications see user manual

⁴ For specifications see user manual

⁵ Carl Zeiss Meditec AG internal data on file, not published.

⁶ Treatment unit integration option also available. All data is measured internally with possible deviation due to different measuring method or tool. For specifications see user manual.



EXTARO 300



Carl Zeiss Suzhou Co., Ltd.

Modern Industrial Square 3-B,
No.333 Xingpu Road
Suzhou Industrial Park, Suzhou
China 215126
www.zeiss.com/med/contacts



Carl Zeiss Meditec AG

Goeschwitzer Strasse 51–52
07745 Jena
Germany
www.zeiss.com/med/contacts



ZEISS Connect



**Legal manufacturer of
ZEISS Connect**

ZEISS Surgical Cloud
ZEISS Livestream
Carl Zeiss Meditec AG
Goeschwitzer Strasse 51–52
07745 Jena
Germany
www.zeiss.com/med/contacts



**Physical manufacturer of
ZEISS Connect**

ZEISS Surgical Cloud
ZEISS Livestream
Carl Zeiss India (Bangalore) Pvt. Ltd.
CARIn Division
Plot No.3, Jigani Link Road
Bommasandra Industrial Area
Bangalore 560 099
India

en-INT_30_010_03001X CZ-IX/2023

The contents of the brochure may differ from the current status of approval of the product, functions, or service offering in your country. ZEISS Surgical Cloud and ZEISS Livestream are intended for educational purposes only and are not intended to diagnose or treat any diseases. Please contact our regional representatives for more information.

Subject to changes in design and scope of delivery and due to ongoing technical development. EXTARO and Varioskop are either trademarks or registered trademarks of Carl Zeiss Meditec AG or other companies of the ZEISS Group in Germany and/or other countries.

© Carl Zeiss Meditec AG, 2023. All rights reserved.