

Streamlining your performance.



ZEISS OPMI Sensera



zeiss.com/OPMI-Sensera

Seeing beyond



OPMI *Sensera*

Ease of use

Since ZEISS introduced the first surgical microscope in 1953, the field of otorhinolaryngology has been at the forefront of microsurgery. In collaboration with surgeons, ZEISS has developed trend-setting visualization solutions, providing the functionalities ENT surgeons expect.



OPMI Sensera® from ZEISS enables the surgeon to effortlessly move the system into a comfortable position for performing ear, nose, or throat surgery. At the push of a button, the innovative balancing system ensures that the microscope is perfectly balanced, even when equipped with maximum accessories.

For the ear, precision is key

ZEISS OPMI Sensera is optimized for the delicate and precise techniques demanded for surgical ear procedures. This surgical microscope offers a flexibility in positioning that also ensures high comfort for the extreme approaches often required for skull base surgeries.

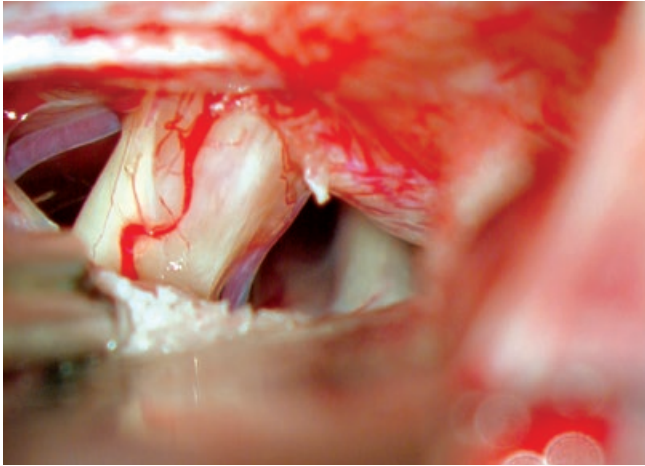
Just follow your nose

Varioskop® optics, combined with the tiltable tube, enable the surgeon to maintain an ergonomic posture, particularly in paranasal sinus surgery, where the working distance changes frequently. Surgeons can also refocus at the push of a button and easily adjust the spot size of the illumination to see down narrow nasal passages.

Preserving functionality in throat procedures

CO₂ lasers are often used in surgery on the larynx. Because it is so compact, ZEISS OPMI Sensera makes it possible to operate comfortably while achieving the necessary approach angles for laser microsurgery. The optional external fine focus allows surgeons to synchronize the focus of the surgical microscope and the laser without disrupting the procedure.

Optical excellence



Acoustic neuroma.

Source: Gruppo Otologico-Piacenza, Prof. Dr. Sanna



Left middle ear approach for stapes procedure.

Source: Barrow Neurological Institute, Dr. Peter A. Weisskopf

As demands continue to grow in ENT surgery, quality optics and what they provide in terms of image quality, resolution, and color rendition become much more important. A Varioskop that provides a working distance of 200 – 415 mm coupled with the 1:6 zoom system ensures that the apochromatic optics of ZEISS OPMI Sensera can readily accommodate any surgical application in ENT. The Superlux® xenon illumination ensures that the finest details are visible in true color.

Focused images at the push of a button

The video system with SpeedFokus simplifies procedures by quickly and precisely focusing the optics at the push of a button. The surgical workflow becomes more efficient as surgeons completely concentrate on the treatment. Manual, time-consuming focusing is a thing of the past.

Complete documentation

ZEISS provides the entire chain of video components from co-observation to documentation. The 1Chip HD Camera is optimally aligned with ZEISS apochromatic optics and enables the display of high-definition images with high color fidelity during surgical procedures to further enhance the clinical

workflow. The handgrip allows the rapid capture of high-resolution still images and videos for documentation and scientific presentation. To support efficient data handling, digital images can be automatically stored to a network.

Adaptability is key

Combined with ZEISS OPMI Sensera, laser micro-manipulators permit the use of different, easily mounted lasers.

Integration

Clean design lines, form, and functionality define the ZEISS OPMI Sensera. Internal zoom and focus, Superlux xenon illumination, and the optional, workflow-integrated HD video chain are internalized, eliminating cable clutter and potential cable damage while making it easier to clean.



Feather-light maneuverability

The floor stand has four freely rotating casters, which makes repositioning in the OR or transferring between different rooms easy. ZEISS OPMI Sensera is also available on the S7 ceiling mount with a rigid column or an optional lifting column.

Personalized settings

In today's increasingly crowded ORs, ZEISS OPMI Sensera easily and quickly adapts to the varying procedural needs of the ENT surgeon. The touch of a button on the S7 graphical interface quickly configures an optimized setup for ear, nose, or throat surgery. Plus, three surgeons can store their personal preferences for magnification, focus, and illumination, making pre-surgical setup a snap.

Options

Thanks to the ZEISS building block principle, OPMI Sensera from ZEISS can be easily configured with the accessories required for different procedures.

Ergonomic design and operating comfort



Foldable Tube f170/f260 allows for a wide range of comfortable working positions.

Optics and illumination



High-performance xenon illumination for high demands and professional documentation.



The **stereo co-observation tube** ensures that the assistant also enjoys a crisp, brilliant image.



VisionGuard® drupe lens for genuine optical ZEISS quality in sterile working environments.

Digital visualization



Interface for integration of conventional **laser micro-manipulators**.



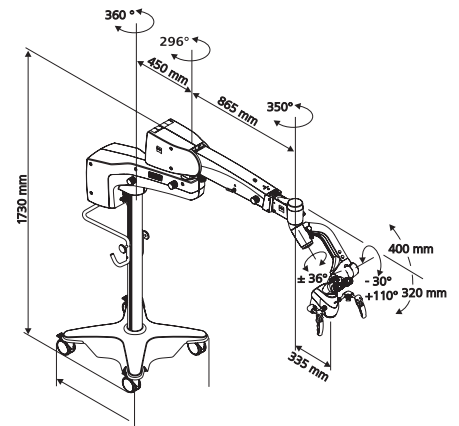
1Chip HD Camera with apochromatic video optics.

Technical data

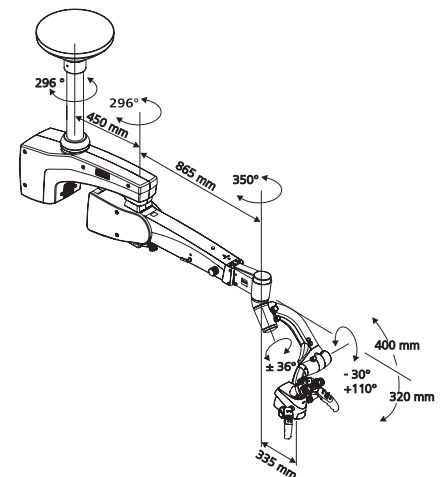
S7 / OPMI Sensera® from ZEISS

Magnification	Motorized ZEISS zoom, 1:6 ratio, adjustable via handgrips or foot control panel	■
Eyepieces	10x wide-field eyepieces	■
	12.5x wide-field eyepieces	□
Tubes	Tiltable Tube 0 – 180°, f = 170 mm	■
	Straight Tube, f = 170 mm	□
	Foldable Tube f170/f260, including PROMAG function for additional 50 % magnification and integrated rotate function	□
Focus	Internal, motorized, continuously adjustable, triggered via handgrip or foot control panel	■
	SpeedFokus	□
Illumination	Superlux 180 W xenon light source	■
	100 W halogen illumination	□
System operation	Multifunctional programmable handgrips	■
	Wired 14 functions foot control panel	□
	Wireless 14 functions foot control panel	□
Suspension systems	Floor stand	■
	Ceiling mount with rigid column	□
	Ceiling mount with lifting column	□
Video	1Chip HD Camera	□
	HD video recorder	□
	HD monitors	□
	Adaptation of consumer (SLR) photo/video camera	□
Laser attachment	Interface for laser micro-manipulator	■
Other options	Stereo co-observer	□
	External motorized fine focus device for laser use	□
	OPMI Drapes sterile with VisionGuard® lenses	□
	Sterilizable asepsis caps	□
	Instrument tray on floor stand	□

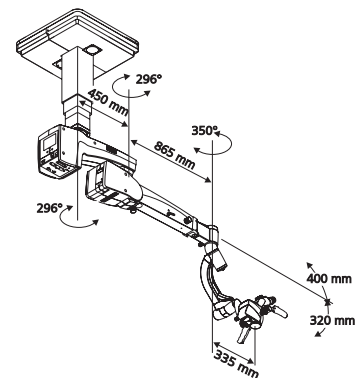
■ Standard □ Option



S7 Floor stand



S7 Ceiling mount with rigid column



S7 Ceiling mount with lifting column



Carl Zeiss Meditec AG
Goeschwitzer Strasse 51–52
07745 Jena
Germany
www.zeiss.com/sensera
www.zeiss.com/med/contacts

en-INT_30_010_0421V Printed in Germany.
The contents of the brochure may differ from the current status of approval of the product or service offering in your country. Please contact our regional representative for more information.
Subject to changes in design and scope of delivery and due to ongoing technical development. OPMI Sensera, Superlux, Varioskop, and VisionGuard are either trademarks or registered trademarks of Carl Zeiss Meditec AG or other companies of the ZEISS Group in Germany and/or other countries.
© Carl Zeiss Meditec AG, 2020. All rights reserved.