



ZEISS ARTEVO 850

Technical Specifications



Seeing beyond

ZEISS ARTEVO® 850

Visualization	4K HDR 55" 3D monitor 2x 3-Chip 4K Cameras Digital and hybrid mode AdVision® augmented overlays: cataract assistance functions, phaco values (ZEISS QUATERA 700), OCT optionally
Surgical microscope	Smart DoF and DeepView to adjust depth of field Digital Color Assistant (DCA): preset bluish color codings and custom Magnification 3,5x - 21x (with objective lens f=200 and eyepiece 10x) Focus range: 70mm; FastFocus available Integrated electronic assistant scope (option) Integrated keratoscope ring (option)
Illumination	Stereo Coaxial Illumination (SCI) RGB LED (adjustable light color temperature 3000K-6000K) or Xenon Superlux Eye Optional filters available
Slit illumination	Integrated slit illuminator Slit widths: 0.2 mm, 2 mm, 3 mm, 4 mm Slit height: 12 mm Second light source option for motorized external slit illuminator VISULUX

ZEISS Intraoperative OCT

Scan parameters	A-Scan depth: 2.9 and 5.8 mm in tissue Scan length adjustable 3 – 16 mm Different scan modes for live and capture acquisition Scan-location or side-aligned B-scans Scale indicator Automatic noise reduction on/off AutoZ Z tracking and XY tracking
------------------------	--

ZEISS RESIGHT family

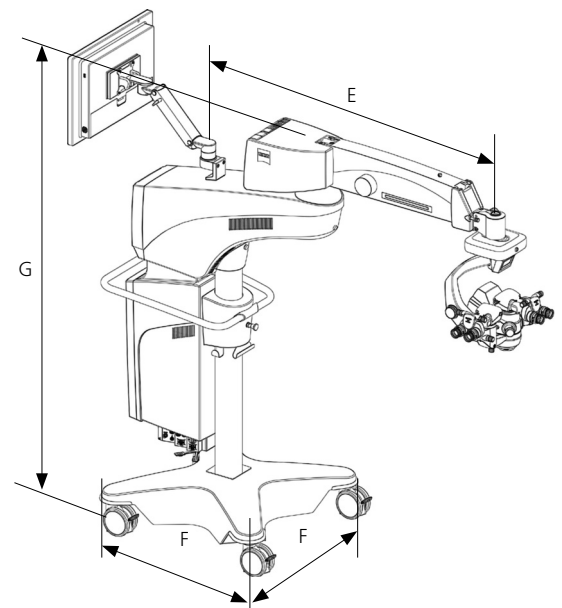
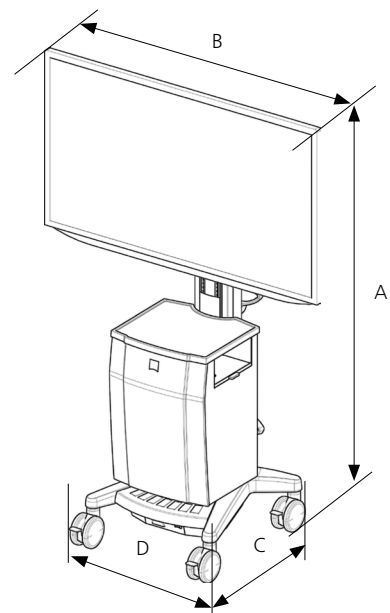
Fundus viewing systems	ZEISS RESIGHT 700 AutoAdjust® for automatic anterior/posterior profile switching
Lenses available	60D and 128D (reusable) MACULA LENS, ULTRA WIDE-ANGLE LENS, WIDE-ANGLE LENS (single-use)

ZEISS CALLISTO eye

Software	Version 5.0
Hardware	Panel PC III
Recording	Integrated high quality MPEG 1080p 60/50 fps video recording, including AdVision overlays

Measurements

Monitor	Total height (A) 1821 mm Monitor width (B) 1250 mm Monitor cart length (C) 721 mm Monitor cart width (D) 621 mm
Microscope	Swivel arm length (E) 1343 mm Microscope footprint (F) 805 mm Total height (G) 1880 mm





ARTEVO 750/850
RESIGHT 700
CALLISTO eye Panel PC



RESCAN 700
CALLISTO eye Software



Carl Zeiss Meditec AG
Goeschwitzer Strasse 51–52
07745 Jena
Germany
www.zeiss.com/med/contacts