

Take the lead.

Feel the speed.



ZEISS VISUMAX 800



zeiss.com/visumax800

Seeing beyond

Fast performance.

Gain confidence in your workflow.

VISUMAX® 800 from ZEISS offers reduced laser time in comparison to its predecessors, faster cut speeds, and intelligent assistant systems that help you enhancing control during your procedures.

Increased laser frequency for faster cut speeds.

The improved laser pulse repetition rate of 2 MHz, combined with a high-performance laser scanning system, makes it possible to create a lenticule in less than 10 seconds¹ with ZEISS SMILE pro and a flap in around 5 seconds².

Shorter suction time and reduced stress.

With a faster laser speed, a shorter suction time is expected, which can increase your peace of mind and reduce stress for you and your patients during the treatment.

“The biggest advantage, I think, is the laser time – 10 seconds¹. It’s unbelievable. For us, the surgeons, and also for the patients. By the time I start talking, it’s done. Brilliant.”

Rainer Wiltfang, MD, Smile Eyes Augenlinik,
Munich Airport, Munich, Germany

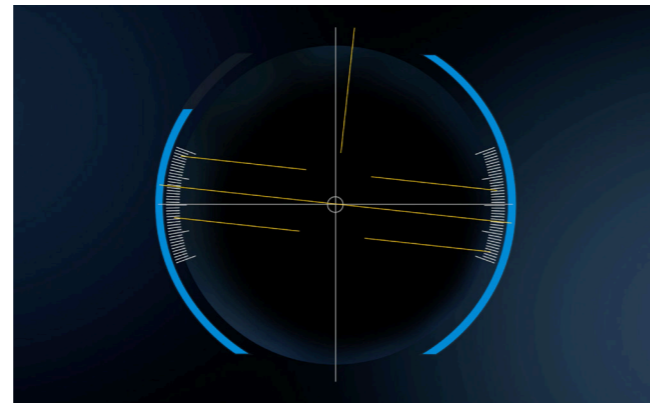
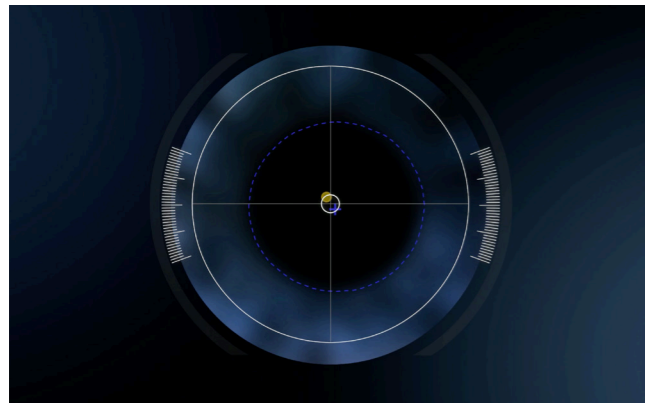
¹ Data on file, myopia with optical zone ≤ 6.5 mm, track spacing $4.5 \mu\text{m}$, spot spacing $2 \mu\text{m}$

² Data on file, flap diameter ≤ 8.0 mm, spot distance $4.5 \mu\text{m}$, track distance $2.0 \mu\text{m}$.

Intelligent assistant systems.

Enhance control during your procedures.

With ZEISS VISUMAX 800 you also benefit from a smart and computer-assisted cyclotorsion and centration aid, which can bring more precision and control to your procedures. In every way, the device has been designed to deliver state-of-the-art performance that adds efficiency and ergonomics.



CentraLign system

for easy centration with little effort.

The CentraLign® assistant system is a computer-controlled function for easy centration. It uses pupil center and vertex position, giving you full control of centration already during the docking phase. There is no need to shift the cutting pattern after docking.

Scan the QR code to watch the simulation.



OcuLign system

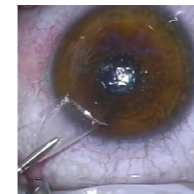
for easy cyclotorsion alignment.

The intuitive OcuLign® pattern rotation system offers a new experience with cyclotorsion alignment. Based on a static iris image from a diagnostic device, OcuLign® automatically recalculates the treatment pattern and suggests a degree of cyclotorsion adjustment.

Scan the QR code to watch the simulation.

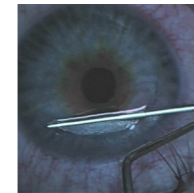


One laser. Many opportunities. Applications at a glance.



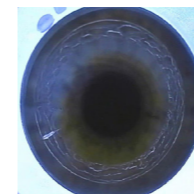
SMILE pro for Lenticule Extraction.

With SMILE® pro from ZEISS, you can offer lenticule extraction to eligible patients with myopia, hyperopia and astigmatism. In this procedure, a lenticule is created inside the cornea. Through a small incision, this lenticule is then removed to achieve the desired vision correction.



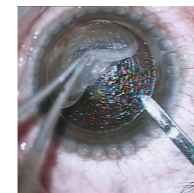
Flap cut for Femto-LASIK.

For treatments such as Femto-LASIK, the ZEISS VISUMAX 800 enables highly precise and fast flap creation. You can use your own flap configuration, with adjustable flap diameter, thickness, hinge position, and side cut angle. Thanks to the high cutting precision and optimized parameter settings, the flap lift is easy to perform.



Tunnel incisions for ICR.

The ZEISS VISUMAX 800 is also ideally suited to create precise and flexible corneal tunnels for Intracorneal Ring Implantation with different cutting geometries and tunnel segments of 90 to 270°, meeting the implantation requirements for various kinds of ring segments.



Keratoplasty option for corneal transplant.

With the Keratoplasty option, the ZEISS VISUMAX 800 covers several corneal transplant procedures. It enables smooth lamellar and circular incisions for Penetrating Keratoplasty (PKP) and Anterior Lamellar Keratoplasty (ALK). High-precision cutting quality and rapid incision speed allow corneal grafts and recipient corneas to be prepared efficiently.



The practical Keratoplasty adapter provides a robust and sterile work surface for preparing corneal grafts and the specially designed curved contact glass (type KP) prevents unnecessary compression of the corneal tissue.

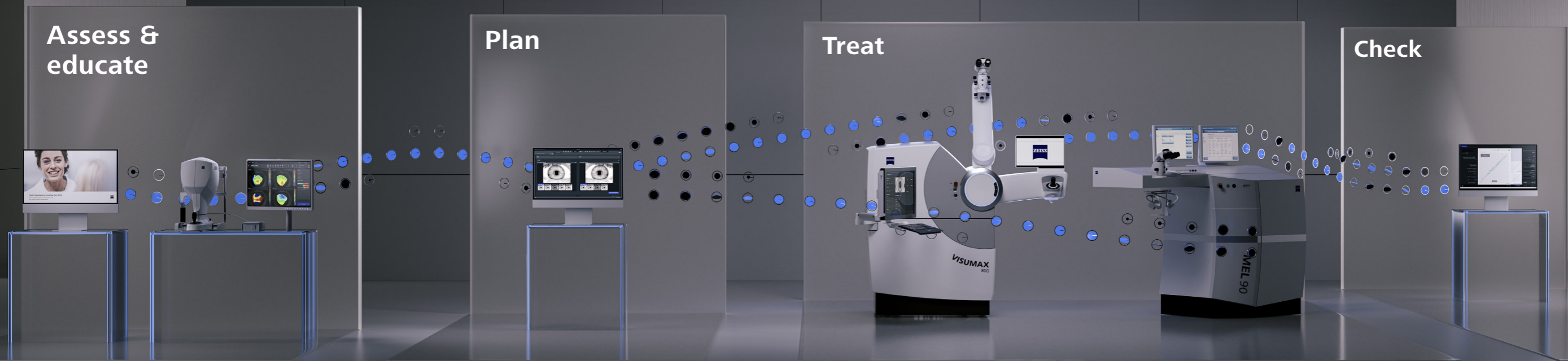
CIRCLE for retreatment.

In rare cases when a retreatment may be necessary, the software option CIRCLE® from ZEISS converts the initial cap created with SMILE or SMILE pro into a flap. The actual retreatment is then performed as a LASIK procedure, e.g. with the ZEISS MEL 90.

Digitally connected workflow.

Take advantage of streamlined data management.

The ZEISS VISUMAX 800 connects seamlessly with different products and solutions from ZEISS. Reliable integration can help you achieve faster procedures and more efficiency in a streamlined workflow while also offering support to reduce sources of error.



ZEISS Patient Communication Materials

Helping you to interact with patients at each step of the patient journey for better understanding of treatment options and expectation management.

ZEISS Practice Development

Our ZEISS Practice Development consultants will provide you with an unbiased evaluation of the patient experience in your clinic and collaborate with you to define improvements tailored to your specific needs.

ZEISS ATLAS 500

A state-of-the-art, multi-modality solution for the anterior eye segment, ATLAS® 500 from ZEISS offers corneal topography. Additionally, the system enables clinicians to carry out dry eye assessments in a single workstation, delivering increased efficiency in a compact design.

ZEISS Refractive Workplace

Refractive Workplace® with connectivity to FORUM® from ZEISS is the treatment planning software for our refractive lasers. It offers comprehensive remote planning outside the OR with the option to align integrated diagnostic data.

ZEISS VISUMAX 800 and MEL 90

The digital connection of the VISUMAX 800 femtosecond laser and MEL 90 excimer laser to FORUM gives you the freedom for easy remote treatment planning via ZEISS Refractive Workplace. The refractive lasers allow you to perform a broad range of laser vision corrections: Lenticule Extraction with ZEISS SMILE pro, Femto-LASIK, PRK/LASEK, and ZEISS PRESBYOND.

ZEISS VISULYZE

The software VISULYZE® from ZEISS provides a clear overview of your clinical results and generates nomograms customized to each user with a simple and intuitive interface. The software collects, stores and statistically analyzes your own clinical data in a standardized way – helping you to examine and verify refractive outcomes.

Comfortable surgical experience.

For you and your patients.

Designed with an ergonomic concept optimized for surgeon-patient interaction, the ZEISS VISUMAX 800 helps create a seamless and comfortable experience. Its modern look contributes to an atmosphere of confidence and trust, while the award-winning user interface design makes interaction intuitive and efficient.



Integrated surgical microscope with ZEISS quality optics.

As part of the ZEISS VISUMAX 800, the OPMI surgical microscope contributes to precise visual control during manual surgical manipulation of the cornea.

It offers **five levels of magnification**, **integrated slit illumination** with two different slit widths for quick checks and includes a **digital video camera** for recording surgical procedures.



Easy patient access with comfort and control.

While the patient lies on the patient supporting system, you have full control over the position of the device.

Without the need to move the patient, either the laser arm or OPMI arm can be easily brought into the working position for surgery.



Tracking distances positioning made easy.

Ultrasound sensors assist in actuating the laser arms while **integrated top-view, side-view, and therapy cameras** allow you to ergonomically observe the surgical environment between the device and patient.

Additionally, **height tracking assists suction stability** by tracking the device head relative to the patient's eye during laser treatment.



Highlight your practice with customized laser arm illumination.

Whether you want to **match the device to your clinic's corporate identity** or give patients a choice that provides them a **better visual comfort**, you can choose from eight different illumination colors for the laser arm.



Interact with the device simply and efficiently.

ZEISS VISUMAX 800 features an award-winner user interface design which is intuitive, easy, and helps you and your assistant through every step of the procedure.

Additional accessories for your new evolution femtosecond laser

Operating table BRUMABA Genius Eye Z-STA.

The headrest of the operating table "BRUMABA Genius Eye Z-STA" can be adjusted in three dimensions to account for anatomic specifics of your patients. You can also re-adjust the patient position thanks to the automatic length adjustment of the head shell. Legroom and easy access for the surgeon provide comfortable working ergonomics. The optional Keratoplasty adapter perfectly fits to the operating table.



Surgeon's chair Balance Supreme.

The arm rests of the surgeon's chair "Balance Supreme" can be swivelled forward and backward in addition to the height adjustment and rotation adjustment. Also, back rest as well as height and inclination of the sitting surface can be adjusted for an ergonomic position during the surgery.





Technical Data

Laser type	Femtosecond laser
Available treatment options	Flap, SMILE® pro, CIRCLE®, ICR, Keratoplasty
Digital assistant systems	Centration aid Centralign® Cyclotorsion alignment OcuLign® Import of VISULYZE® user nomograms

Optical data

Maximum laser repetition frequency	2 MHz
Wavelength	1043 nm
Pulse duration	220–580 fs

Surgical microscope

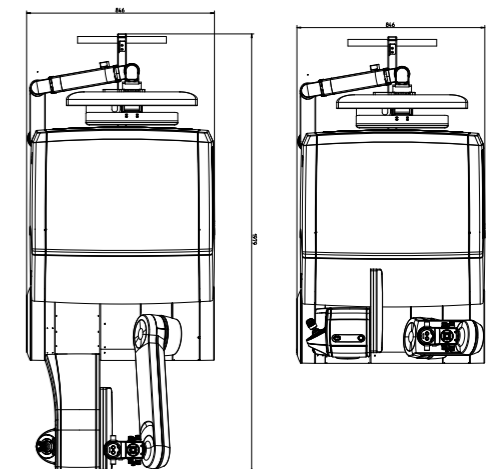
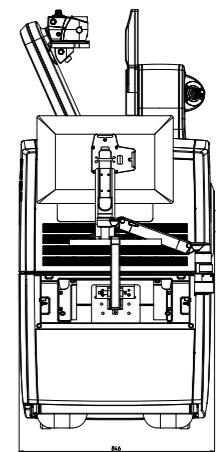
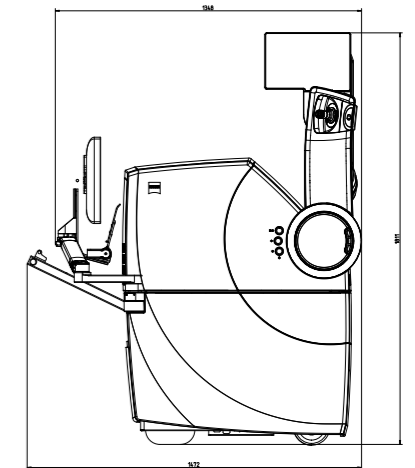
Magnification	0.7x
Factors for magnification change	0.4 / 0.6 / 1.0 / 1.6 / 2.5
Eyepiece magnification	12.5x (10x)
Filters	blue, barrier filter (yellow)
Slit illumination	slit width ≤ 0.3 mm / 0.7 mm slit height 11.0 mm

Ambient conditions for operation

Temperature	+18 °C to +25 °C
Humidity	30 % to 70 %

Measurements

Device mass	520 kg
Minimum floor load	2.5 kN/m ²
Footprint standalone	L × W: 1710 mm × 925 mm





0297

VISUMAX 800
MEL 90
ATLAS 500



0297

FORUM
Refractive Workplace
VISULYZE



BRUMABA Genius Eye Z-STA



Carl Zeiss Meditec AG
Goeschwitzer Strasse 51–52
07745 Jena
Germany
www.zeiss.com/visumax800
www.zeiss.com/med/contacts



BRUMABA GmbH & Co. KG
Bürgermeister-Graf-Ring 17
82538 Geretsried
Germany
www.brumaba.de
info@brumaba.de

en-INT_34_010_0027VI CZ-VII/2024 International edition: Only for sale in selected countries.
Refractive Workplace and VISULYZE are both available in the USA as a software classified as non medical device.
The contents of the brochure may differ from the current status of approval of the product or service offering in your country. Please contact our regional representatives for more information.
Subject to changes in design and scope of delivery and due to ongoing technical development: VISUMAX, SMILE, SMILE pro, CIRCLE, Centralign, Oculign, MEL, ATLAS, PRESBYOND, Refractive Workplace, FORUM and VISULYZE are either trademarks or registered trademarks of Carl Zeiss Meditec AG or other companies of the ZEISS Group in Germany and/or other countries.
© Carl Zeiss Meditec AG, 2024. All rights reserved.