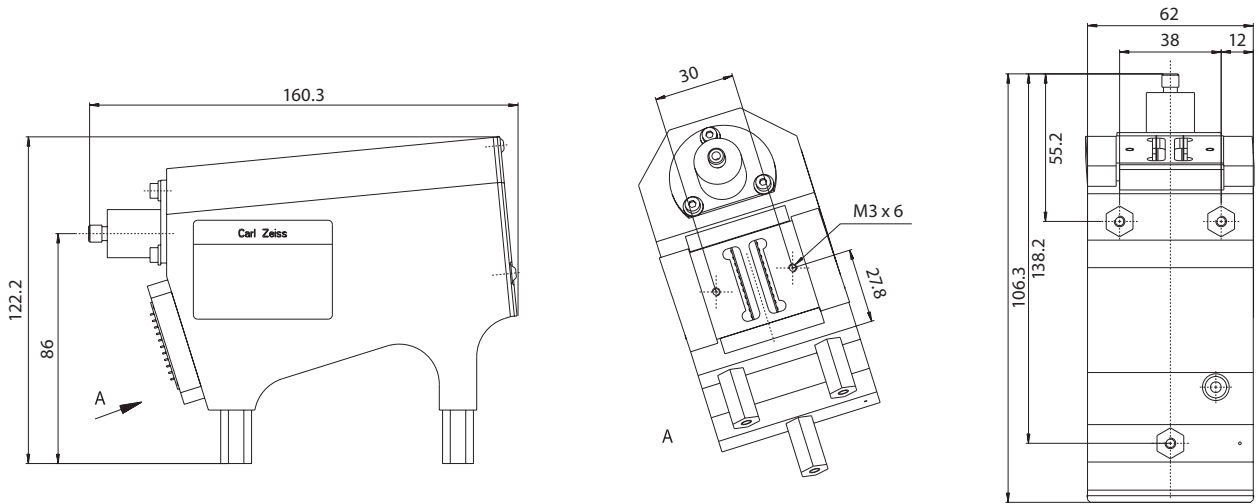
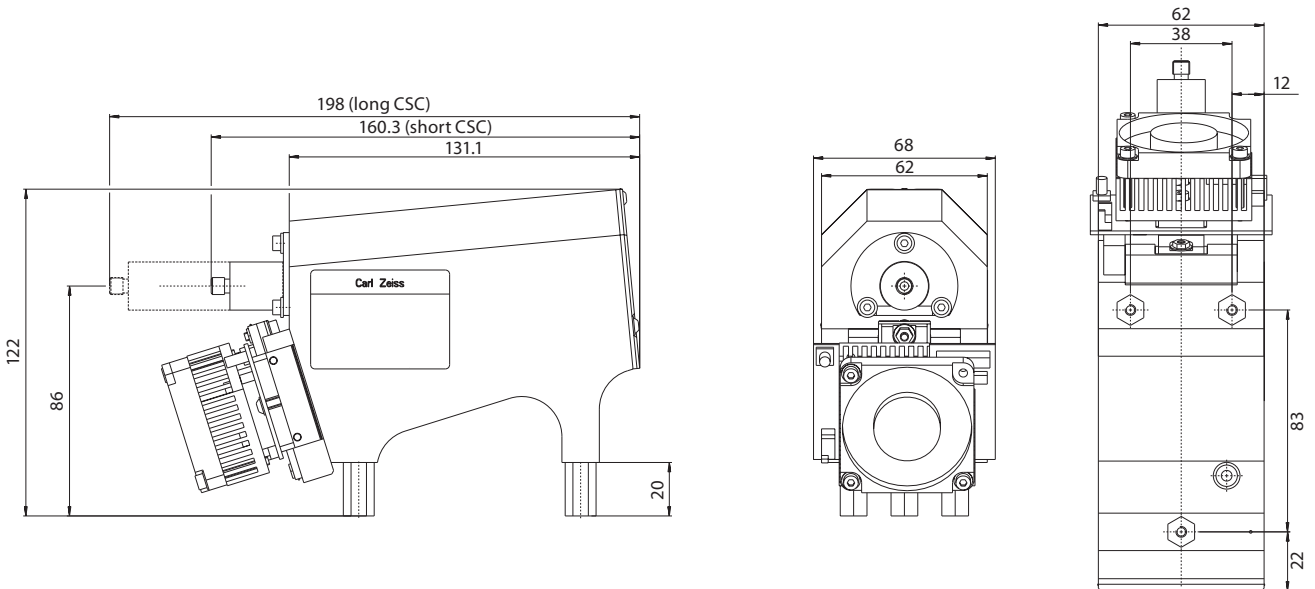


Dimensions MCS FLEX family



Order No.	Designation	Wavelength range	Description
000000-1459.276	MCS FLEX UV-NIR	190 – 1015 nm	PDA with 1024 pixels



Order No.	Designation	Wavelength range	Description
000000-1423.352	MCS FLEX CCD UV-NIR	190 – 980 nm	with CCD Detector Hamamatsu S7031 with 1024 (1044) x 64 pixels, short CSC
000000-1761.535	MCS FLEX CCD UV-NIR	190 – 980 nm	with CCD Detector Hamamatsu S7031 with 1024 (1044) x 64 pixels, long CSC

Carl Zeiss Spectroscopy GmbH
 Carl-Zeiss-Promenade 10
 07745 Jena, Germany

Phone: + 49 3641 64-2838
 Telefax: + 49 3641 64-2485

Email: info.spectroscopy@zeiss.com
www.zeiss.com/spectroscopy

