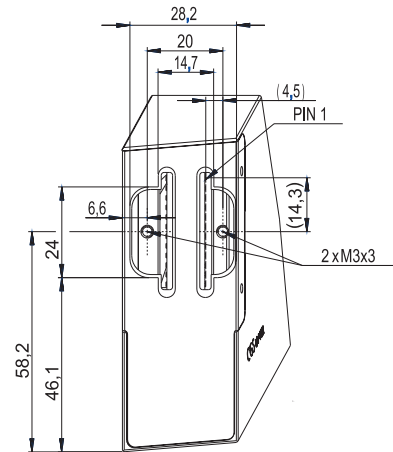
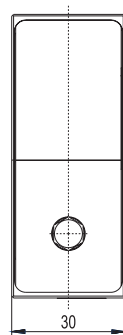
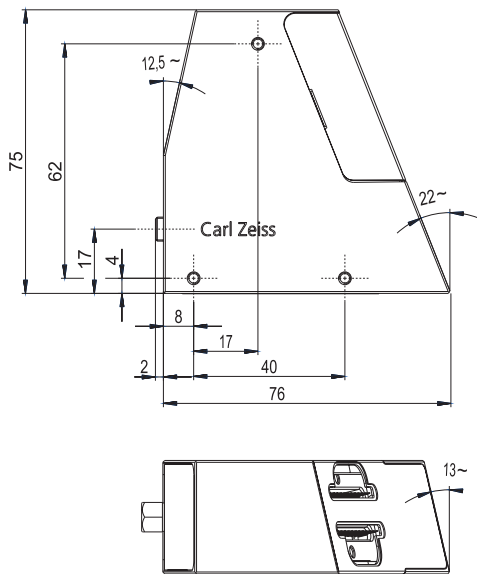


Dimensions CGS



	Designation	Wavelength range	Description
on request	CGS UV-NIR	190-1000 nm	with CCD detector Hamamatsu S11156 with 2048 pixel

Carl Zeiss Microscopy GmbH
 Carl-Zeiss-Promenade 10
 07745 Jena

Phone: +49 3641 64-2838
 Fax: +49 3641 64-2485

E-Mail: info.spektralsensorik@zeiss.de
www.zeiss.de/spectrometer



We make it visible.