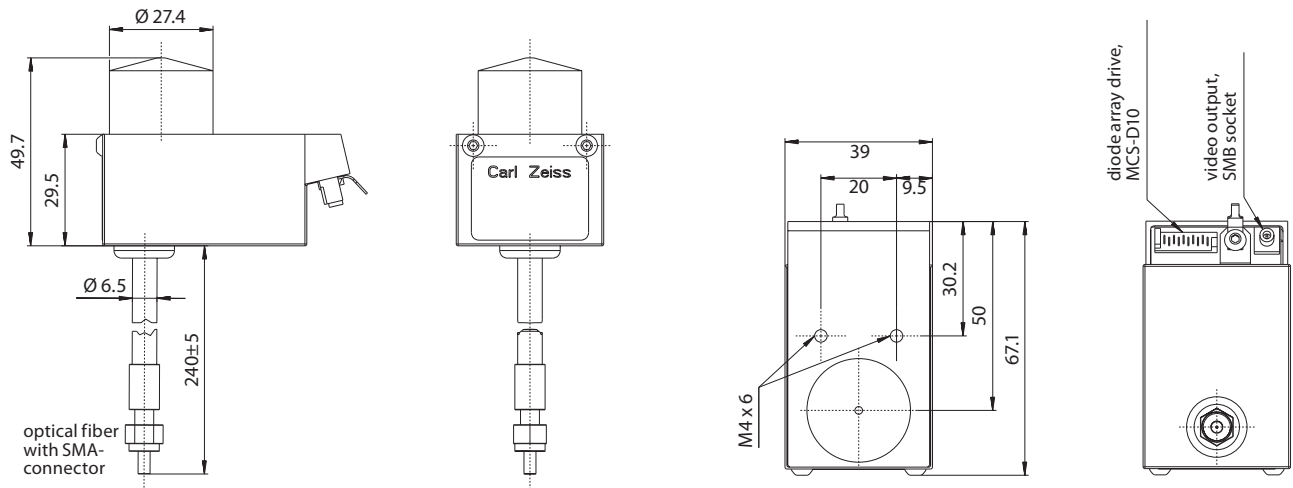
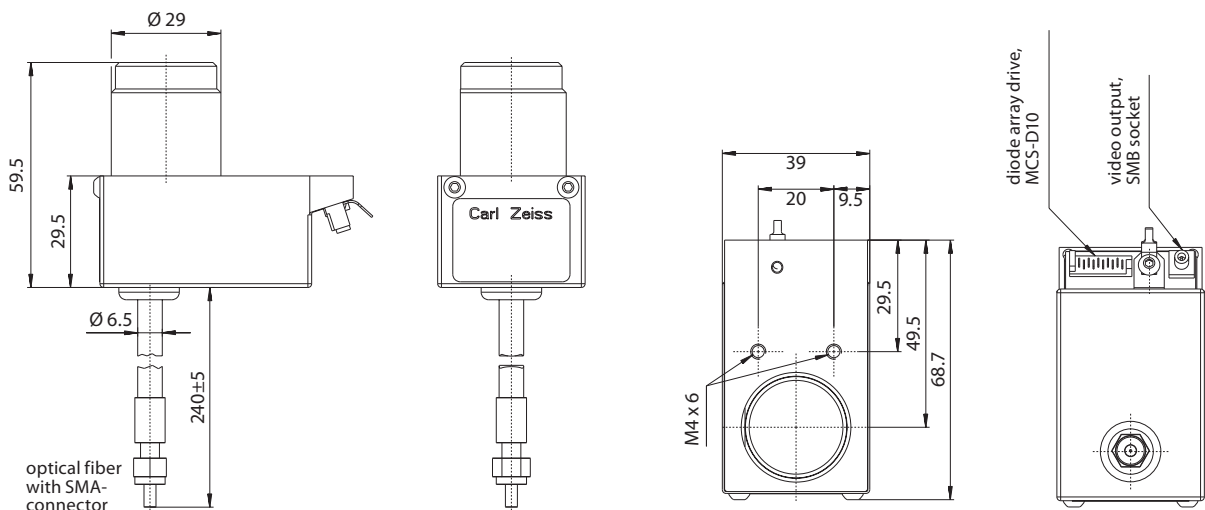


Dimensions MMS family



Order No.	Designation	Wavelength range	Description
224001-9001.000	MMS 1 UV/VIS enh.	310 – 1100 nm	PDA with 256 pixels, 240 mm external fiber length
224001-9011.000	MMS 1 UV/VIS enh.	310 – 1100 nm	PDA with 256 pixels, 180 mm external fiber length
000000-1233.038	MMS 1 NIR enh.	310 – 1100 nm	S8381 PDA with 256 pixels, 240 mm external fiber length



Order No.	Designation	Wavelength range	Description
224000-9001.000	MMS UV-VIS I	190 – 720 nm	PDA with 256 pixels, 240 mm external fiber length
000000-1410.176	MMS UV-VIS I	190 – 720 nm	PDA with 256 pixels, 240 mm external fiber length solarisation stabilized
000000-1090.197	MMS UV-VIS II	250 – 785 nm	PDA with 256 pixels, 240 mm external fiber length

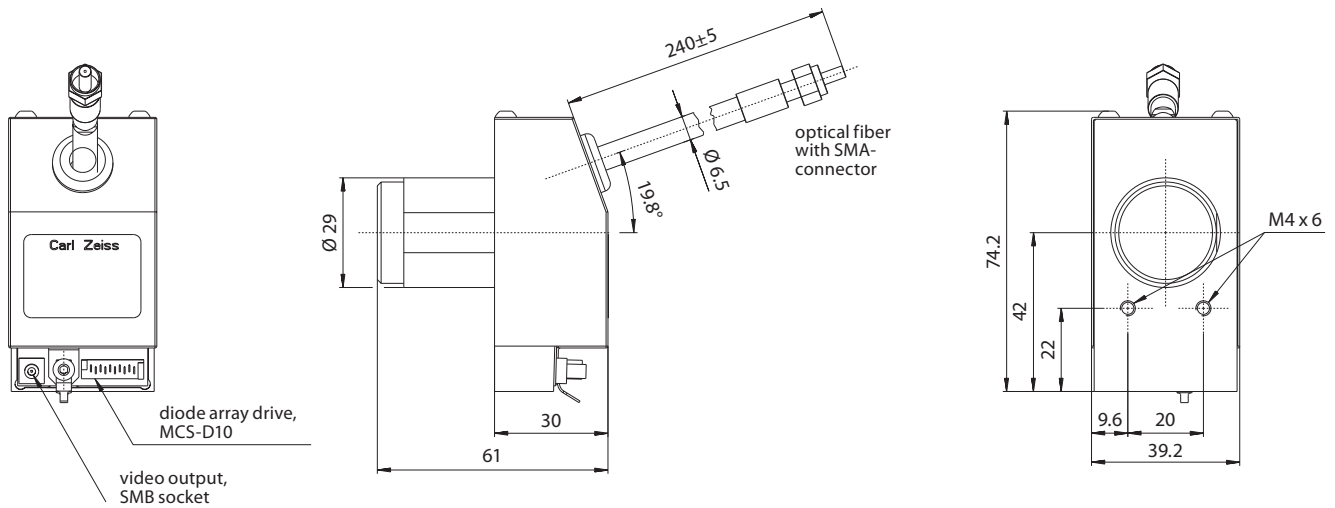
Carl Zeiss Microscopy GmbH
 Carl-Zeiss-Promenade 10
 07745 Jena

Phone: +49 3641 64-2838
 Fax: +49 3641 64-2485

E-Mail: info.spektralsensorik@zeiss.de
www.zeiss.de/spectrometer



We make it visible.



Order No.	Designation	Wavelength range	Description
224002-9020.000	MMS UV	195 – 390 nm	PDA with 256 pixels, 240 mm external fiber length
000000-1392.178	MMS UV	195 – 390 nm	PDA with 256 pixels, 240 mm external fiber length solarisation stabilized